



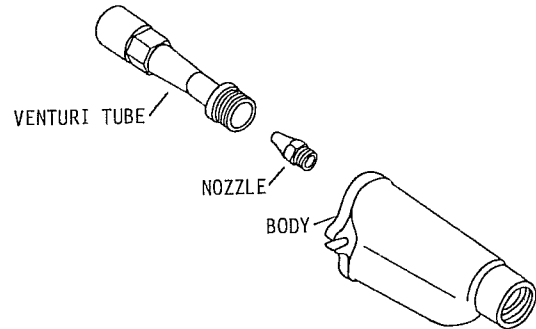
PARTS LIST

LANCASTER DUAL DUTCHMAN DW MODEL

MODELS 2DW74 - 2DW77

PART NO.	REQ'D.	DESCRIPTION
825	2	1/4" Pipe Plug
1063	8	3/8-16 x 1" Cap Screw
2404	1	Front Impeller, 2DW74
2414	1	Gasket
2424	1	Front Impeller, 2DW75, 2DW76, 2DW77
2441	1	O'ring
2451	1	Pump Body
2472	1	Motor Support
2473	1	Diffuser Assy.
2661	1	Rotary Seal
3405	1	Pump Base
3473	1	Diffuser
4404	1	Rear Impeller, 2DW74
4414	1	Rear Impeller, 2DW75
4424	1	Rear Impeller, 2DW76
4434	1	Rear Impeller, 2DW77
6-JT4350	1	3/4 HP Motor
6-JT5350	1	1 HP Motor
6-JT6350	1	1-1/2 HP Motor
6-JT7350	1	2 HP Motor

INJECTOR ASSEMBLIES - Deep Well



INJECTOR ASSEMBLIES - Deep Well			
Complete	Body	Venturi	Nozzle
34640	14621	5413	14634-C
34650	14621	5433	14634-C
34670	14621	5413	14644-D

