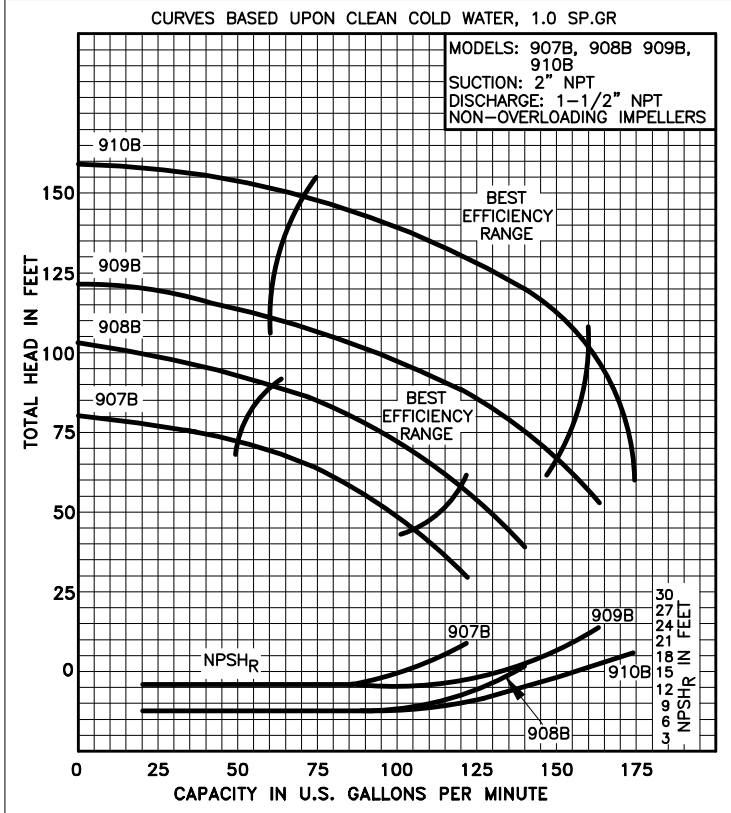
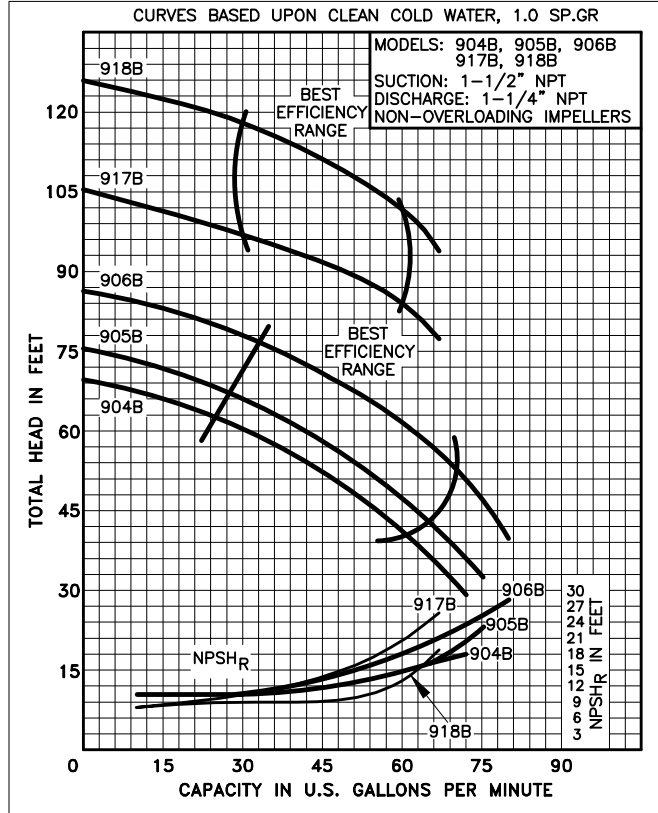
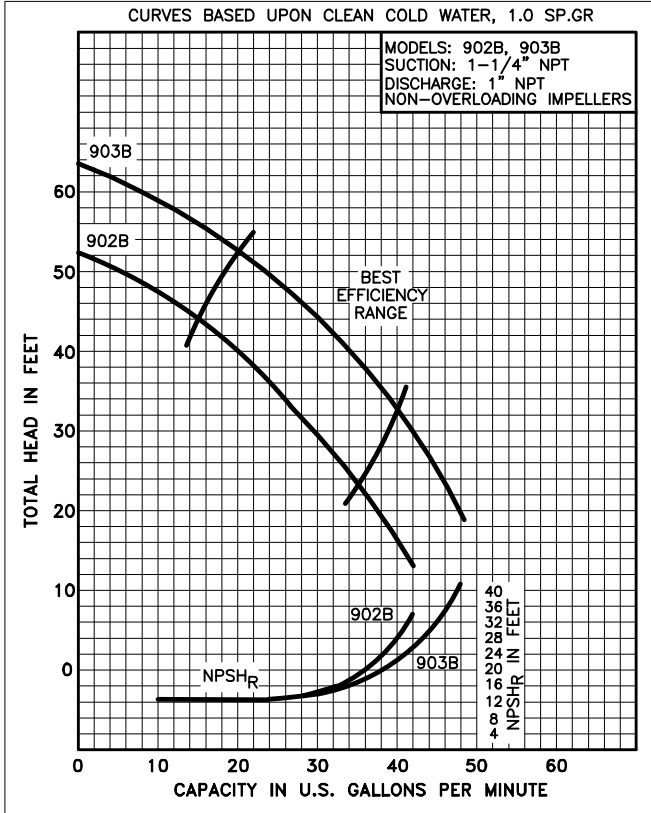


Lancaster

900B Series End Suction Centrifugal Pumps
Threaded Connections—Brass Fitted

3450 rpm
Performance curves

Max. working pressure 125 psig • Max. liquid temperature 180°F (continuous use), 211°F (intermittent use) • Rotation C.W. (motor end)

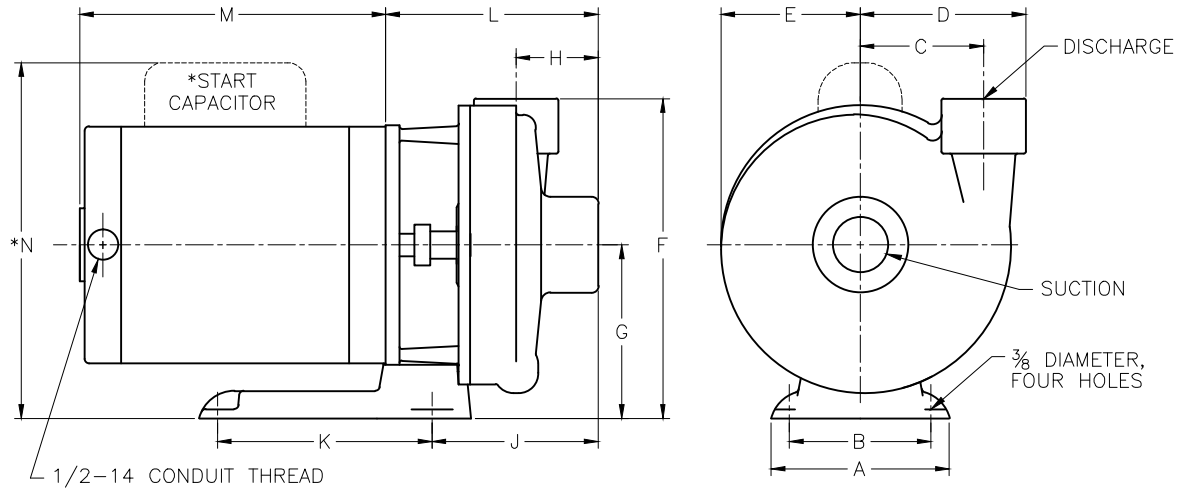


3450 RPM 60 HZ. ODP MOTORS*					
MODEL	HP	SF	PH	VOLTAGE	FR.
3-902B-1	1/3	1.75	1	115/230	56C
3-902B-3	1/3	1.75	3	208-230/460	56C
3-903B-1	1/2	1.60	1	115/208-230	56C
3-903B-3	1/2	1.60	3	208-230/460	56C
3-904B-1	3/4	1.50	1	115/208-230	56C
3-904B-3	3/4	1.50	3	208-230/460	56C
3-905B-1	1	1.40	1	115/208-230	56C
3-905B-3	1	1.40	3	208-230/460	56C
3-906B-1	1-1/2	1.30	1	115/208-230	56C
3-906B-3	1-1/2	1.30	3	208-230/460	56C
3-917B-1	2	1.20	1	115/208-230	56C
3-917B-3	2	1.20	3	208-230/460	56C
3-918B-1	3	1.15	1	208-230	56C
3-918B-3	3	1.15	3	208-230/460	56C
3-907B-1	2	1.20	1	115/208-230	56C
3-907B-3	2	1.20	3	208-230/460	56C
3-908B-1	3	1.15	1	208-230	56C
3-908B-3	3	1.15	3	208-230/460	56C
3-909B-1	5	1.15	1	208-230	184TC
3-909B-3	5	1.15	3	208-230/460	182TC
3-910B-3	7-1/2	1.15	3	208-230/460	184TC
PUMP COMPONENT			MATERIAL		
Casing, motor bracket, and base plate			Cast iron		
Impeller			Brass		
Pump shaft (902B thru 918B)			Brass (AISI 416 S.S. optional)		
Pump shaft (907B thru 910B)			AISI 416 S.S.		
Shaft seal			Carbon/ceramic with Buna-N elastomer and stainless steel parts (Viton® elastomer optional)		

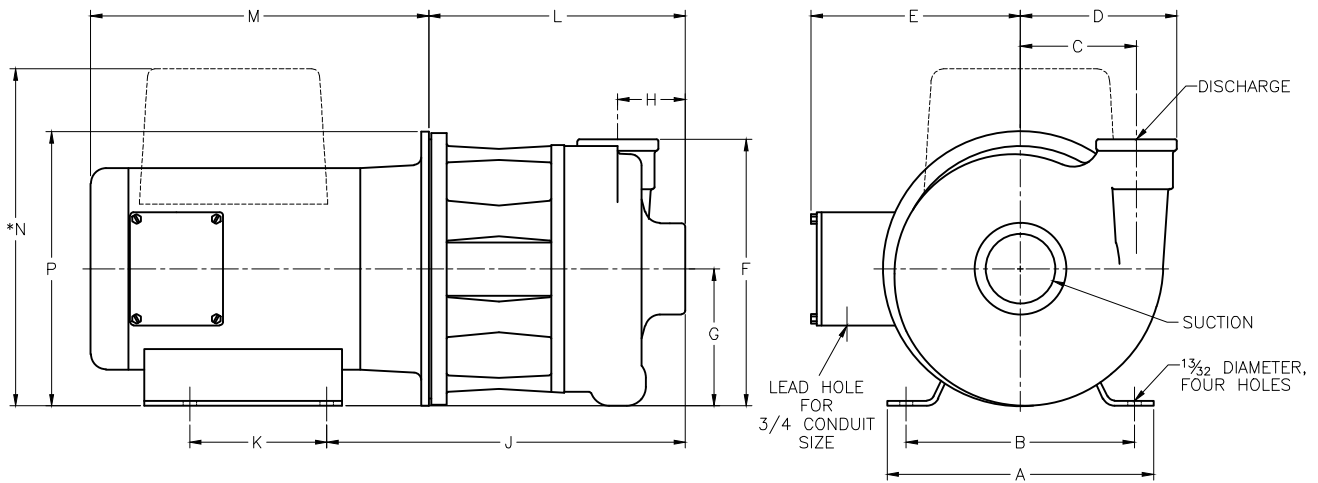
*TEFC motors available for all models - consult factory

Viton® is a registered trademark of DuPont

MODELS 902B, 903B, 904B, 905B, 906B, 907B, 908B, 917B, 918B



MODELS 909B, 910B



MODEL	SUCTION	DISCHARGE
902B, 903B	1-1/4 NPT	1 NPT
904B, 905B, 906B, 917B, 918B	1-1/2 NPT	1-1/4 NPT
907B, 908B, 909B, 910B	2 NPT	1-1/2 NPT

MODEL	A	B	C	D	E	F	G	H	J	K	L	M		*N	P	MOTOR FRAME SIZE
												SINGLE	THREE			
902B	4-7/8	3-7/8	3-3/8	4-1/2	3-7/8	8-3/4	4-3/4	2-1/4	4-5/8	5-7/8	5-7/8	8.61	7.78	9.09	-	56C
903B	4-7/8	3-7/8	3-3/8	4-1/2	3-7/8	8-3/4	4-3/4	2-1/4	4-5/8	5-7/8	5-7/8	9.11	8.77	9.32	-	56C
904B	4-7/8	3-7/8	3-3/8	4-1/2	3-7/8	8-3/4	4-3/4	2-1/4	4-5/8	5-7/8	5-7/8	9.86	9.27	9.32	-	56C
905B	4-7/8	3-7/8	3-3/8	4-1/2	3-7/8	8-3/4	4-3/4	2-1/4	4-5/8	5-7/8	5-7/8	10.11	9.52	9.32	-	56C
906B	4-7/8	3-7/8	3-3/8	4-1/2	3-7/8	8-3/4	4-3/4	2-1/4	4-5/8	5-7/8	5-7/8	10.31	9.31	9.85	-	56C
907B	4-7/8	3-7/8	3-7/8	5-1/8	4-1/8	9	4-3/4	2-1/4	4-13/16	5-7/8	6-1/16	10.31	9.81	9.75	-	56C
908B	4-7/8	3-7/8	3-7/8	5-1/8	4-1/8	9	4-3/4	2-1/4	4-13/16	5-7/8	6-1/16	10.81	9.31	9.75	-	56C
917B	4-7/8	3-7/8	3-3/8	4-1/2	3-7/8	8-3/4	4-3/4	2-1/4	4-5/8	5-7/8	5-7/8	10.31	9.81	9.75	-	56C
918B	4-7/8	3-7/8	3-3/8	4-1/2	3-7/8	8-3/4	4-3/4	2-1/4	4-5/8	5-7/8	5-7/8	10.81	9.31	9.75	-	56C
909B	8-3/4	7-1/2	3-13/16	5-1/8	6-7/8	8-3/4	4-1/2	2-1/4	11-15/16	4.50	8-7/16	13.13	13.13	11.07	9.00	182TC
910B	8-3/4	7-1/2	3-13/16	5-1/8	6-7/8	8-3/4	4-1/2	2-1/4	11-15/16	5.50	8-7/16	-	13.13	-	9.00	184TC

General notes for estimating only. All dimensions are in inches.

*N - Single phase motors only: 902B thru 906B incorporate start capacitor, 907B thru 909B incorporate start and run capacitors.

ODP motor dimensions are NIDEC - US MOTOR brand and may vary with other brands. TEFC motor dimensions available - consult factory.