

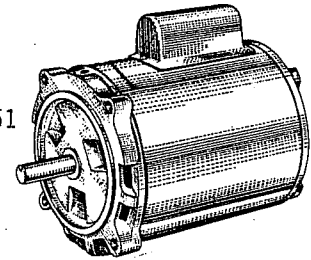
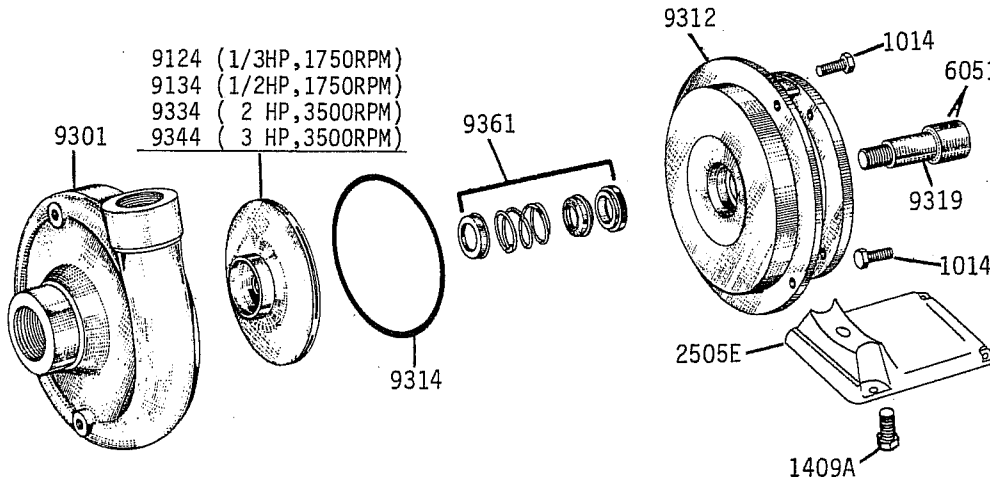


# PARTS LIST

## LANCASTER CENTRIFUGAL CLOSE-COUPLED END SUCTION PUMP

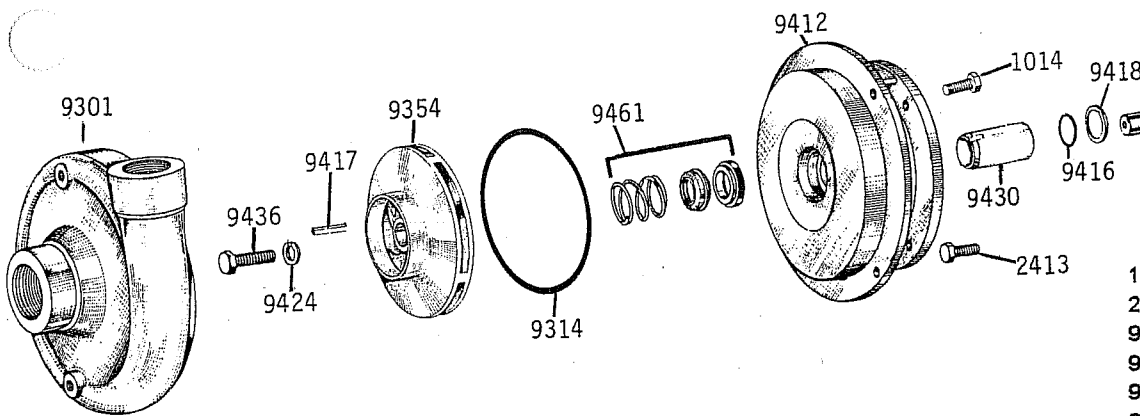
**SERIES E50BH - 2 HP, 3 HP - 3500 RPM - ODP MOTORS**

**SERIES E25BL - 1/3 HP, 1/2 HP - 1750 RPM - ODP MOTORS**



- 1014 8 3/8-16 X 3/4" Cap Screw
- 1409A 1 1/2-13 x 1-1/4" Cap Screw
- 2505E 1 Pump Base
- 6051 2 5/16-18 x 3/8" Set Screw
- 9124 1 Impeller (1/3 HP, 1750 RPM)
- 9134 1 Impeller (1/2 HP, 1750 RPM)
- 9301 1 Pump Body 1-1/2 x 1"
- 9312 1 Motor Support
- 9314 1 O-Ring
- 9319 1 Pump Shaft
- 9334 1 Impeller (2 HP, 3500 RPM)
- 9344 1 Impeller (3 HP, 3500 RPM)
- 9361 1 3/4" Rotary Seal Assy.

### SERIES E50BH - 5 HP - 3500 RPM - ODP MOTORS



- 1014 4 3/8-16 X 3/4" Cap Screw
- 2413 4 3/8-16 X 1-1/2" Cap Screw
- 9301 1 Pump Body 1-1/2 x 1"
- 9314 1 O-Ring
- 9354 1 Impeller (5HP, 3500 RPM)
- 9412 1 Motor Support
- 9416 1 O-Ring
- 9417 1 Square Key
- 9418 1 O-Ring
- 9424 1 Impeller Washer
- 9430 1 Rotary Seal Sleeve
- 9436 1 3/8-16 X 3/4" Cap Screw, SS
- 9461 1 1-1/4" Rotary Seal Assy.

#### MOTORS FOR SERIES E50BH - 3500 RPM

HP	1 PHASE	3 PHASE	FRAME		VOLTAGE	
			1 PHASE	3 PHASE	1 PHASE	3 PHASE
2	6-JK7059-1	6-JK7059-3	56C	56C	115/230	208-230/460
3	6-JK8059-1	6-JK8059-3	56C	56C	115/230	208-230/460
5	6-184JM3-5-1	6-182JM3-5-3	184JM	182JM	230	208-230/460

#### MOTORS FOR SERIES E25BL - 1750 RPM

1/3	6-JK2159-1	6-JK2159-3	56C	56C	115/230	208-230/460
1/2	6-JK3159-1	6-JK3159-3	56C	56C	115/230	208-230/460

**LANCASTER PUMP** A DIVISION OF C-B TOOL CO.

1340 Manheim Pike • Lancaster, PA 17601-3196 • Phone 717-397-3521 • Fax 717-392-0266 • www.lancpump.com

# PARTS LIST

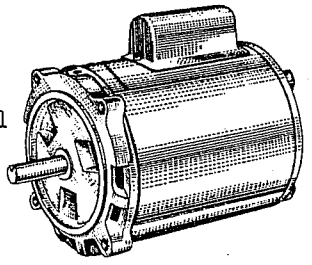
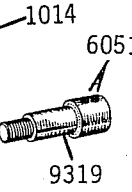
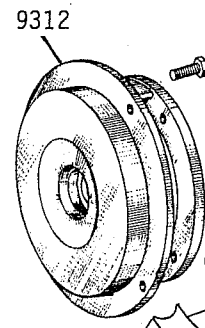
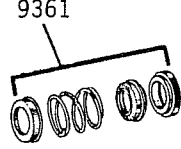
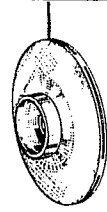
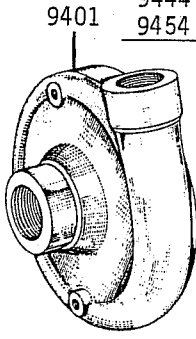


## LANCASTER CENTRIFUGAL CLOSE-COUPLED END SUCTION PUMP

**SERIES E90BH - 1 HP, 1-1/2 HP, 2 HP, 3 HP - 3500 RPM - ODP MOTORS**

**SERIES E60BL - 1/3 HP, 1/2 HP, 3/4 HP, 1HP - 1750 RPM - ODP MOTORS**

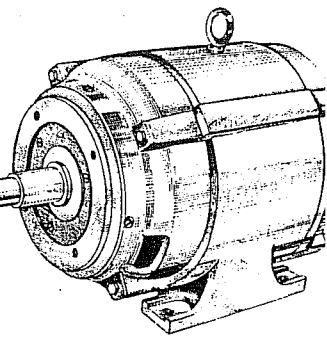
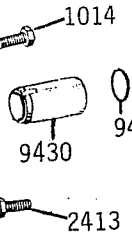
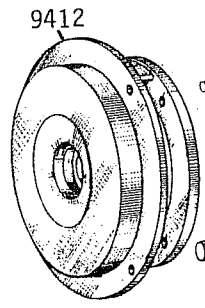
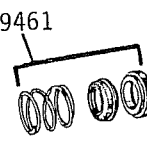
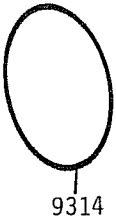
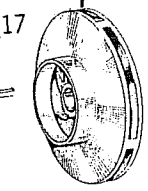
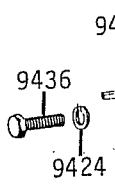
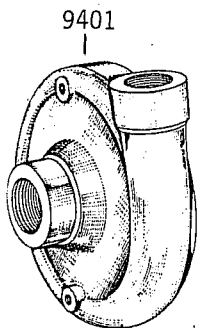
- 9144 (1/3HP,1750RPM)
- 9154 (1/2HP,1750RPM)
- 9164 (3/4HP,1750RPM)
- 9174 ( 1 HP,1750RPM)
- 9414 (1HP,3500RPM)
- 9434 (1-1/2HP,3500RPM)
- 9444 (2HP,3500RPM)
- 9454 (3HP,3500RPM)



- 1014 8 3/8-16 X 3/4" Cap Screw
- 1409A 1 1/2-13 x 1-1/4" Cap Screw
- 2505E 1 Pump Base
- 6051 2 5/16-18 x 3/8" Set Screw
- 9144 1 Impeller (1/3 HP, 1750 RPM)

- 9154 1 Impeller (1/2 HP, 1750 RPM)
- 9164 1 Impeller (3/4 HP, 1750 RPM)
- 9174 1 Impeller ( 1 HP, 1750 RPM)
- 9312 1 Motor Support
- 9314 1 O-Ring
- 9319 1 Pump Shaft
- 9361 1 3/4" Rotary Seal Assy.
- 9401 1 Pump Body 2" x 1-1/2"
- 9414 1 Impeller (1 HP, 3500 RPM)
- 9434 1 Impeller (1-1/2 HP, 3500 RPM)
- 9444 1 Impeller (2 HP, 3500 RPM)
- 9454 1 Impeller (3 HP, 3500 RPM)

## SERIES E90BH - 5 HP, 7-1/2 HP - 3500 RPM - ODP MOTORS



- 1014 4 3/8-16 X 3/4" Cap Screw
- 2413 4 3/8-16 X 1-1/2" Cap Screw
- 9314 1 O-Ring
- 9401 1 Pump Body 2" x 1-1/2"
- 9412 1 Motor Support
- 9416 1 O-Ring
- 9417 1 Square Key

- 9418 1 O-Ring
- 9424 1 Impeller Washer
- 9430 1 Rotary Seal Sleeve
- 9436 1 3/8-16 X 3/4" Cap Screw, SS
- 9461 1 1-1/4" Rotary Seal Assy.
- 9464 1 Impeller (5HP, 3500 RPM)
- 9474 1 Impeller (7-1/2HP, 3500 RPM)

### MOTORS FOR SERIES E90BH - 3500 RPM

HP	1 PHASE	3 PHASE	FRAME		VOLTAGE	
			1 PHASE	3 PHASE	1 PHASE	3 PHASE
1	6-JK5059-1	6-JK5059-3	56C	56C	115/230	208-230/460
1-1/2	6-JK6059-1	6-JK6059-3	56C	56C	115/230	208-230/460
2	6-JK7059-1	6-JK7059-3	56C	56C	115/230	208-230/460
3	6-JK8059-1	6-JK8059-3	56C	56C	115/230	208-230/460
5	6-184JM3-5-1	6-182JM3-5-3	184JM	182JM	230	208-230/460
7-1/2	---	6-184JM3-7-3	---	184JM	---	208-230/460

### MOTORS FOR SERIES E60BL - 1750 RPM

1/3	6-JK2159-1	6-JK2159-3	56C	56C	115/230	208-230/460
1/2	6-JK3159-1	6-JK3159-3	56C	56C	115/230	208-230/460
3/4	6-JK4159-1	6-JK4159-3	56C	56C	115/230	208-230/460
1	6-JK5159-1	6-JK5159-3	56C	56C	115/230	208-230/460

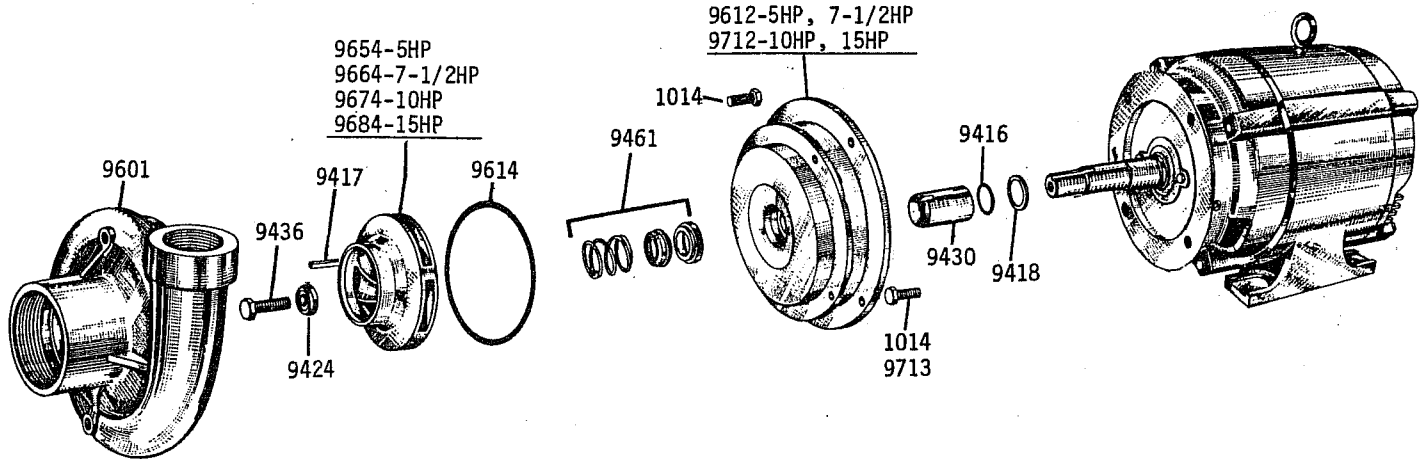
**LANCASTER PUMP** A DIVISION OF C-B TOOL CO.



# PARTS LIST

## LANCASTER CENTRIFUGAL CLOSE-COUPLED END SUCTION PUMP

**SERIES E145BH - 5 HP, 7-1/2 HP, 10 HP, 15 HP - 3500 RPM - ODP MOTORS**



- |      |    |                                          |
|------|----|------------------------------------------|
| 1014 | 12 | 3/8-16 X 3/4" Cap Screw - 5 HP, 7-1/2 HP |
| 1014 | 8  | 3/8-16 X 3/4" Cap Screw - 10 HP, 15 HP   |
| 9416 | 1  | O-Ring                                   |
| 9417 | 1  | Square Key                               |
| 9418 | 1  | O-Ring                                   |
| 9424 | 1  | Impeller Washer                          |
| 9430 | 1  | Rotary Seal Sleeve                       |
| 9436 | 1  | 3/8-16 X 3/4" Cap Screw, SS              |
| 9461 | 1  | 1-1/4" Rotary Seal Assy.                 |
| 9601 | 1  | Pump Body 2 x 1-1/2"                     |
| 9612 | 1  | Motor Support - 5 HP, 7-1/2 HP           |
| 9614 | 1  | O-Ring                                   |
| 9654 | 1  | Impeller, 5 HP                           |
| 9664 | 1  | Impeller, 7-1/2 HP                       |
| 9674 | 1  | Impeller, 10 HP                          |
| 9684 | 1  | Impeller, 15 HP                          |
| 9712 | 1  | Motor Support- 10 HP, 15 HP              |
| 9713 | 4  | 1/2-13 x 1-1/4" Cap Screw - 10 HP, 15 HP |

MOTORS FOR SERIES E145BH - 3500 RPM						
HP	1 PHASE	3 PHASE	FRAME		VOLTAGE	
			1 PHASE	3 PHASE	1 PHASE	3 PHASE
5	6-184JM3-5-1	6-182JM3-5-3	184JM	182JM	230	208-230/460
7-1/2	—	6-184JM3-7-3	—	184JM	—	208-230/460
10	—	6-213JM3-10-3	—	213JM	—	208-230/460
15	—	6-215JM3-15-3	—	215JM	—	208-230/460

**LANCASTER PUMP** A DIVISION OF C-B TOOL CO.

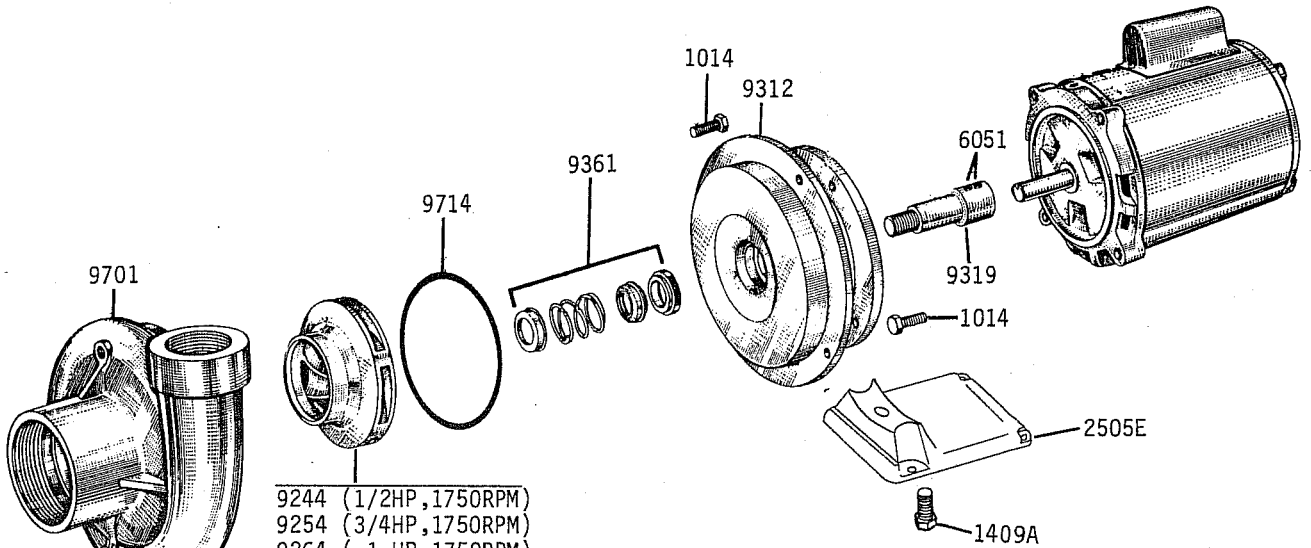
1340 Manheim Pike Lancaster, PA 17601-3196 • Phone 717-397-3521 • Fax 717-392-0266 • www.lancpump.com



# PARTS LIST

## LANCASTER CENTRIFUGAL CLOSE-COUPLED END SUCTION PUMP

**SERIES E200BH - 1-1/2 HP, 2 HP, 3 HP - 3500 RPM - ODP MOTORS**  
**SERIES E80BL - 1/2 HP, 3/4 HP, 1 HP, 1-1/2 HP - 1750 RPM - ODP MOTORS**



- 9244 ( 1/2HP, 1750RPM)
- 9254 ( 3/4HP, 1750RPM)
- 9264 ( 1 HP, 1750RPM)
- 9274 ( 1-1/2HP, 1750RPM)
- 9724 ( 1-1/2HP, 3500RPM)
- 9734 ( 2 HP, 3500RPM)
- 9744 ( 3 HP, 3500RPM)

- 1014 8 3/8-16 X 3/4" Cap Screw
- 1409A 1 1/2-13 x 1-1/4" Cap Screw
- 2505E 1 Pump Base
- 6051 2 5/16-18 x 3/8" Set Screw
- 9244 1 Impeller, (1/2 HP, 1750RPM)
- 9254 1 Impeller, (3/4 HP, 1750RPM)
- 9264 1 Impeller, (1 HP, 1750RPM)
- 9274 1 Impeller, (1-1/2 HP, 1750RPM)
- 9312 1 Motor Support
- 9319 1 Pump Shaft
- 9361 1 3/4" Rotary Seal Assy.
- 9701 1 Pump Body 3" x 2"
- 9714 1 O-Ring
- 9724 1 Impeller, (1-1/2 HP, 3500RPM)
- 9734 1 Impeller, (2 HP, 3500RPM)
- 9744 1 Impeller, (3 HP, 3500RPM)

MOTORS FOR SERIES E200BH - 3500 RPM						
HP	1 PHASE	3 PHASE	FRAME		VOLTAGE	
			1 PHASE	3 PHASE	1 PHASE	3 PHASE
1-1/2	6-JK6059-1	6-JK6059-3	56C	56C	115/230	208-230/460
2	6-JK7059-1	6-JK7059-3	56C	56C	115/230	208-230/460
3	6-JK8059-1	6-JK8059-3	56C	56C	115/230	208-230/460
MOTORS FOR SERIES E80BL - 1750 RPM						
1/2	6-JK3159-1	6-JK3159-3	56C	56C	115/230	208-230/460
3/4	6-JK4159-1	6-JK4159-3	56C	56C	115/230	208-230/460
1	6-JK5159-1	6-JK5159-3	56C	56C	115/230	208-230/460
1-1/2	6-JK6159-1	6-JK6159-3	56C	56C	115/230	208-230/460

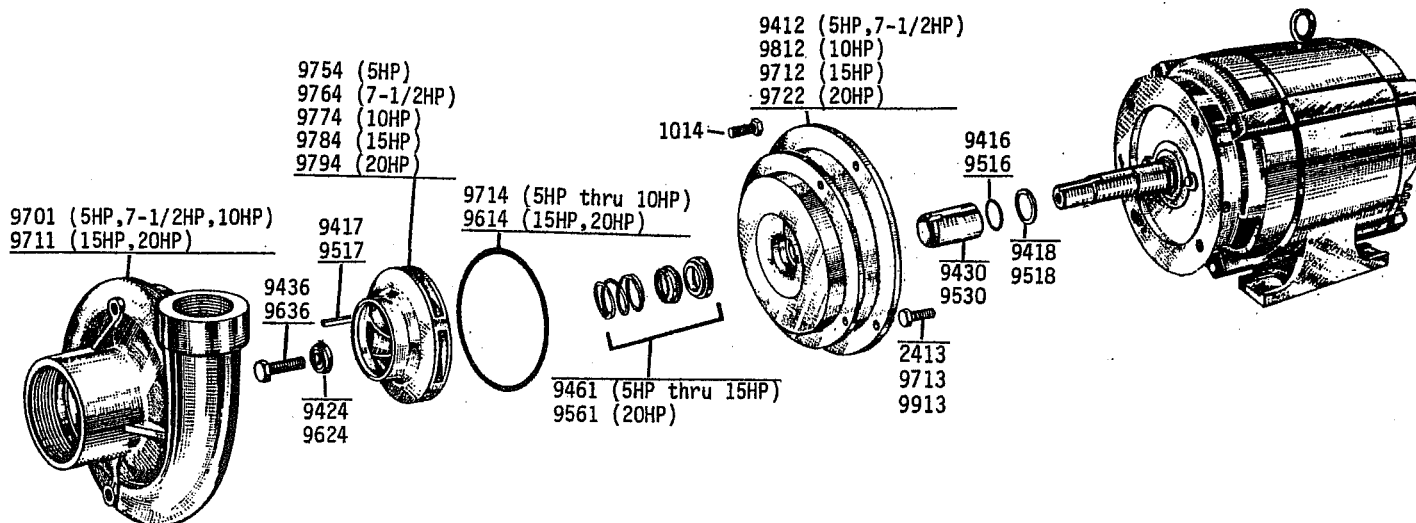
**LANCASTER PUMP** A DIVISION OF C-B TOOL CO.



# PARTS LIST

## LANCASTER CENTRIFUGAL CLOSE-COUPLED END SUCTION PUMP

**SERIES E200BH - 5 HP, 7-1/2 HP, 10 HP, 15 HP, 20 HP - 3500 RPM - ODP MOTORS**



1014	4	3/8-16 X 3/4" Cap Screw - 5 HP, 7-1/2 HP, 10 HP	9614	1	O-Ring - 15 HP, 20 HP
1014	8	3/8-16 X 3/4" Cap Screw - 15 HP, 20 HP	9624	1	Impeller Washer - 20 HP
2413	4	3/8-16 X 1-1/2" Cap Screw - 5 HP, 7-1/2 HP	9636	1	1/2-13 x 1-1/2" Cap Screw, SS - 20 HP
9412	1	Motor Support - 5 HP, 7-1/2 HP	9701	1	Pump Body 3" x 2" - 5HP, 7-1/2 HP, 10 HP
9416	1	O-Ring - 5 HP thru 15 HP	9711	1	Pump Body 3" x 2" - 15 HP, 20 HP
9417	1	Square Key - 5 HP thru 15 HP	9712	1	Motor Support- 15 HP
9418	1	O-Ring - 5 HP thru 15 HP	9713	4	1/2-13 x 1-1/4" Cap Screw - 10 HP, 15 HP
9424	1	Impeller Washer - 5 HP thru 15 HP	9714	1	O-Ring - 5 HP, 7-1/2 HP, 10 HP
9430	1	Rotary Seal Sleeve - 5 HP thru 15 HP	9722	1	Motor Support- 20 HP
9436	1	3/8-16 X 3/4" Cap Screw, SS - 5 HP thru 15 HP	9754	1	Impeller, 5 HP
9461	1	1-1/4" Rotary Seal Assy. - 5 HP thru 15 HP	9764	1	Impeller, 7-1/2 HP
9516	1	O-Ring - 20 HP	9774	1	Impeller, 10 HP
9517	1	Square Key - 20 HP	9784	1	Impeller, 15 HP
9518	1	O-Ring - 20 HP	9794	1	Impeller, 20 HP
9530	1	Rotary Seal Sleeve - 20 HP	9812	1	Motor Support- 10 HP
9561	1	1-3/4" Rotary Seal Assy. - 20 HP	9913	4	1/2-13 x 2" Cap Screw - 20 HP

MOTORS FOR SERIES E200BH - 3500 RPM						
HP	1 PHASE	3 PHASE	FRAME		VOLTAGE	
			1 PHASE	3 PHASE	1 PHASE	3 PHASE
5	6-184JM3-5-1	6-182JM3-5-3	184JM	182JM	230	208-230/460
7-1/2	—	6-184JM3-7-3	—	184JM	—	208-230/460
10	—	6-213JM3-10-3	—	213JM	—	208-230/460
15	—	6-215JM3-15-3	—	215JM	—	208-230/460
20	—	6-254JM3-20-3	—	254JM	—	208-230/460

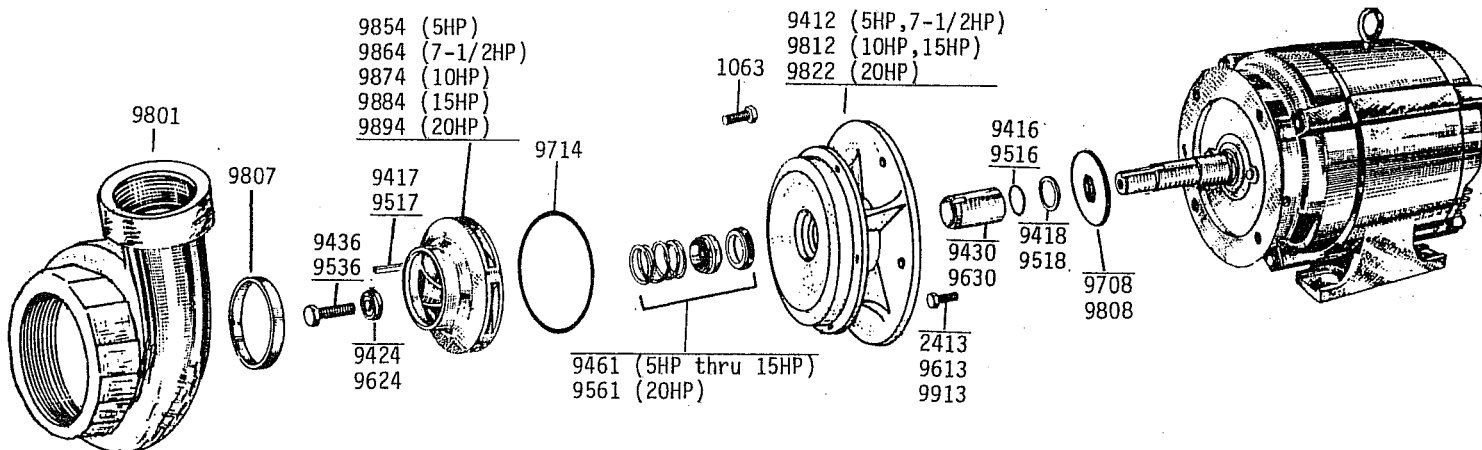
**LANCASTER PUMP** A DIVISION OF C-B TOOL CO.



# PARTS LIST

## LANCASTER CENTRIFUGAL CLOSE-COUPLED END SUCTION PUMP

SERIES E400CH - 5 HP, 7-1/2 HP, 10 HP, 15 HP, 20 HP - 3500 RPM - ODP MOTORS



1063	4	3/8-16 X 1" Cap Screw	9624	1	Impeller Washer - 20 HP
2413	4	3/8-16 X 1-1/2" Cap Screw - 5 HP, 7-1/2 HP	9630	1	Rotary Seal Sleeve - 20 HP
9412	1	Motor Support - 5 HP, 7-1/2 HP	9708	1	Deflector - 5 HP thru 15 HP
9416	1	O-Ring - 5 HP thru 15 HP	9714	1	O-Ring
9417	1	Square Key - 5 HP thru 15 HP	9801	1	Pump Body 4" x 3"
9418	1	O-Ring - 5 HP thru 15 HP	9807	1	Wear Ring
9424	1	Impeller Washer - 5 HP thru 15 HP	9808	1	Deflector - 20 HP
9430	1	Rotary Seal Sleeve - 5 HP thru 15 HP	9812	1	Motor Support- 10 HP, 15 HP
9436	1	3/8-16 X 3/4" Cap Screw, SS - 5 HP thru 15 HP	9822	1	Motor Support- 20 HP
9461	1	1-1/4" Rotary Seal Assy. - 5 HP thru 15 HP	9854	1	Impeller, 5 HP
9516	1	O-Ring - 20 HP	9864	1	Impeller, 7-1/2 HP
9517	1	Square Key - 20 HP	9874	1	Impeller, 10 HP
9518	1	O-Ring - 20 HP	9884	1	Impeller, 15 HP
9536	1	1/2-13 x 1-1/4" Cap Screw, SS - 20 HP	9894	1	Impeller, 20 HP
9561	1	1-3/4" Rotary Seal Assy. - 20 HP	9913	4	1/2-13 x 2" Cap Screw - 20 HP
9613	4	1/2-13 x 1" Cap Screw - 10 HP, 15 HP			

### MOTORS FOR SERIES E400CH - 3500 RPM

HP	1 PHASE	3 PHASE	FRAME		VOLTAGE	
			1 PHASE	3 PHASE	1 PHASE	3 PHASE
5	6-184JM3-5-1	6-182JM3-5-3	184JM	182JM	230	208-230/460
7-1/2	---	6-184JM3-7-3	---	184JM	---	208-230/460
10	---	6-213JM3-10-3	---	213JM	---	208-230/460
15	---	6-215JM3-15-3	---	215JM	---	208-230/460
20	---	6-254JM3-20-3	---	254JM	---	208-230/460

**LANCASTER PUMP** A DIVISION OF C-B TOOL CO.

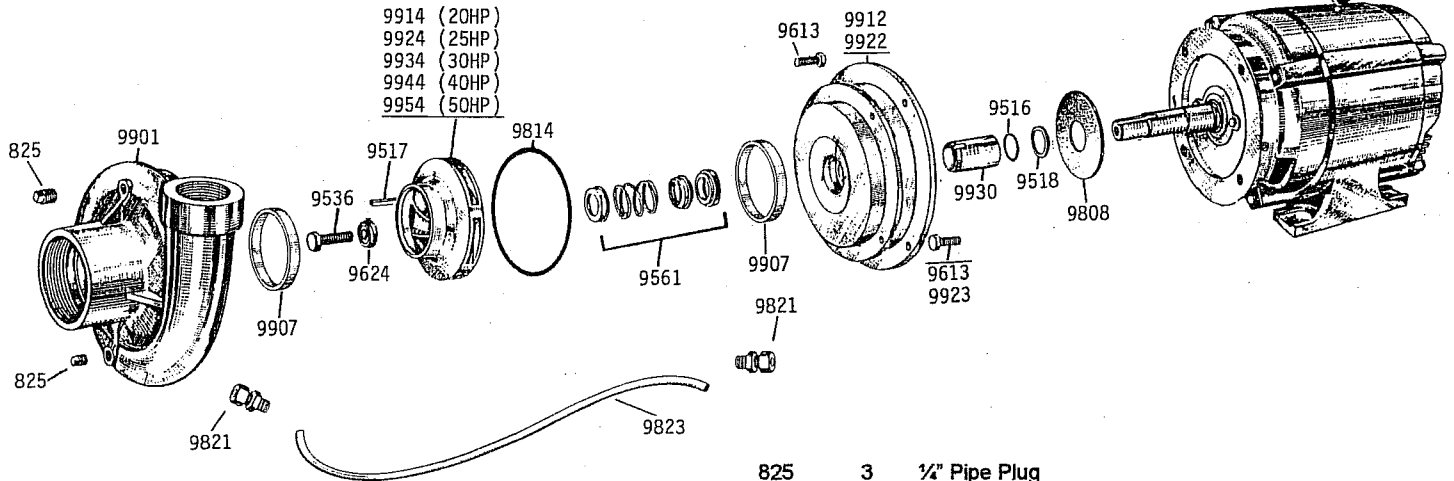
1340 Manheim Pike Lancaster, PA 17601-3196 • Phone 717-397-3521 • Fax 717-392-0266 • www.lancpump.com



# PARTS LIST

## LANCASTER CENTRIFUGAL CLOSE-COUPLED END SUCTION PUMP

SERIES E550CH - 20 HP, 25 HP, 30 HP, 40 HP, 50 HP - 3500 RPM - ODP MOTORS



- |      |    |                                                 |
|------|----|-------------------------------------------------|
| 825  | 3  | 1/2" Pipe Plug                                  |
| 9516 | 1  | O-Ring                                          |
| 9517 | 1  | Square Key                                      |
| 9518 | 1  | O-Ring                                          |
| 9536 | 1  | 1/2-13 x 1-1/4" Cap Screw, SS                   |
| 9561 | 1  | 1-3/4" Rotary Seal Assy.                        |
| 9613 | 12 | 1/2-13 x 1" Cap Screw - 20 HP, 25 HP            |
| 9613 | 8  | 1/2-13 x 1" Cap Screw - 30 HP, 40 HP, 50 HP     |
| 9624 | 1  | Impeller Washer                                 |
| 9808 | 1  | Deflector                                       |
| 9814 | 1  | Square Ring                                     |
| 9821 | 2  | 3/8" x 3/8" Male Connector                      |
| 9823 | 1  | 3/8" x 20" Tubing                               |
| 9901 | 1  | Pump Body 4" x 4"                               |
| 9907 | 2  | Wear Ring                                       |
| 9912 | 1  | Motor Support- 20 HP, 25 HP                     |
| 9914 | 1  | Impeller, 20 HP                                 |
| 9922 | 1  | Motor Support- 30 HP, 40HP, 50 HP               |
| 9923 | 4  | 5/8-11 X 1-1/4" Cap Screw - 30 HP, 40 HP, 50 HP |
| 9924 | 1  | Impeller, 25 HP                                 |
| 9930 | 1  | Rotary Seal Sleeve                              |
| 9934 | 1  | Impeller, 30 HP                                 |
| 9944 | 1  | Impeller, 40 HP                                 |
| 9954 | 1  | Impeller, 50 HP                                 |

MOTORS FOR SERIES E550CH - 3500 RPM						
HP	1 PHASE	3 PHASE	FRAME		VOLTAGE	
			1 PHASE	3 PHASE	1 PHASE	3 PHASE
20	—	6-254JM3-20-3	—	254JM	—	208-230/460
25	—	6-256JM3-25-3	—	256JM	—	208-230/460
30	—	6-284JM3-30-3	—	284JM	—	230/460
40	—	6-286JM3-40-3	—	286JM	—	230/460
50	—	6-324JM3-50-3	—	324JM	—	230/460

**LANCASTER PUMP** A DIVISION OF C-B TOOL CO.