

Res-up® Feeder Installation Instructions

1. Remove top cover, fill the Res-up Feeder® (Plastic Container) to top with water so that the tube and wick are wetted, allow to soak for 15 minutes or more.
2. Empty water and pull tube and wick through Feeder until the outlet end tube and wick are just below the bottom of the Res-up Feeder.
3. Drill two 3/8" holes in brine tank as shown in Figure 2.
4. Punch or drill a 5/8" hole in the brine well cap as shown in Figure 1.
5. Insert end of tube in the brine well cap and mounting bracket in the holes in the brine tank, rotating feeder downward into position as shown in figure 1.
6. Fill feeder with Res-up® Cleaner to "fill line" on label.
7. Replace cover on Feeder and automatic feeding will occur within a few hours.

Figure 1

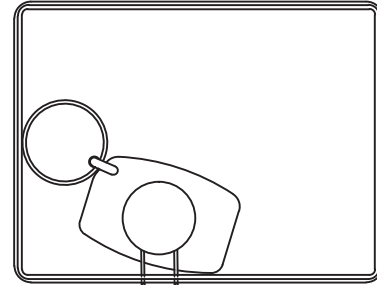
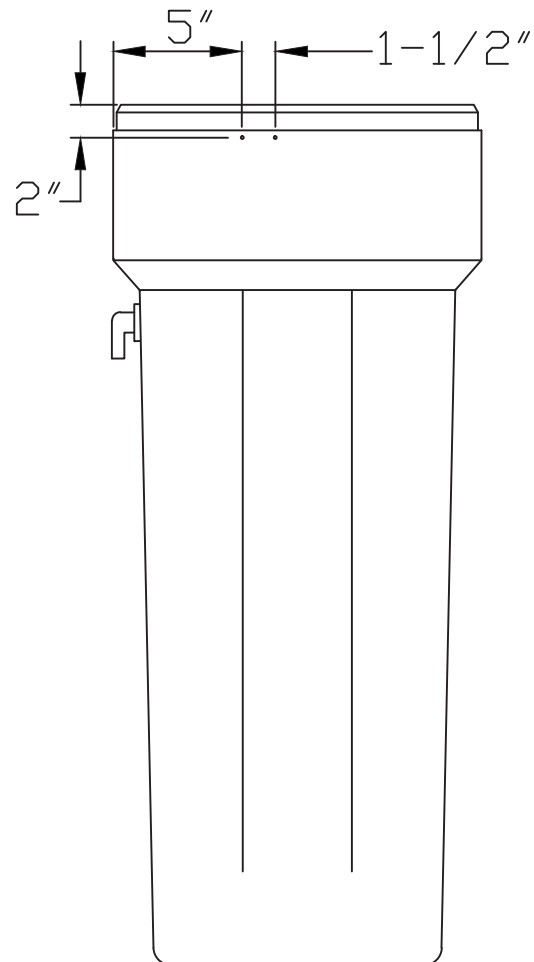


Figure 2



LANCASTER[®]

WATER TREATMENT

Programmed Feeder and Resin Cleaner for more efficient water conditioning resin and brine systems.

Res-up[®] Feeder

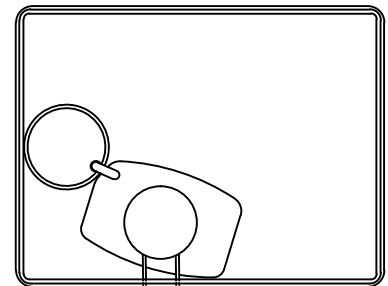
The most efficient water softener medium are resin beads honey combed with microscopic pores. As raw water passes through the medium impurities are deposited around the resin beads and in the pores. The brine bath removes the impurities but, alone, can't penetrate the pores or remove iron and slime deposits.

RES-UP[®] CLEANER is formulated to penetrate bead pores and loosen up and float away iron and other impurities. Res-Up[®] Cleaner will also keep softener components and control valve parts free of build-ups which impair proper functions.

RES-UP[®] FEEDER is a programmed feeder which meters the proper amount of Res-Up[®] Cleaner each time the resin bed is regenerated. The Res-Up[®] Feeder can be programmed for the size of the resin bed and the amount of iron and impurities in the raw water.



Figure 1



Res-Up Feeders are easily installed in both round and rectangular brine tanks.

Figure 1

ORDER NUMBER	FEEDER SIZE	FEED COLOR CODE	AVERAGE DELIVERY PER DAY	UNIT COUNT	CARTON WEIGHT
S6304	3 pint	Yellow Tubing	0.4 oz.	12	7
T6001	1 quart	Res-Up [®] Cleaner		12	33
T6002	1 gallon	Res-Up [®] Cleaner		4	40