

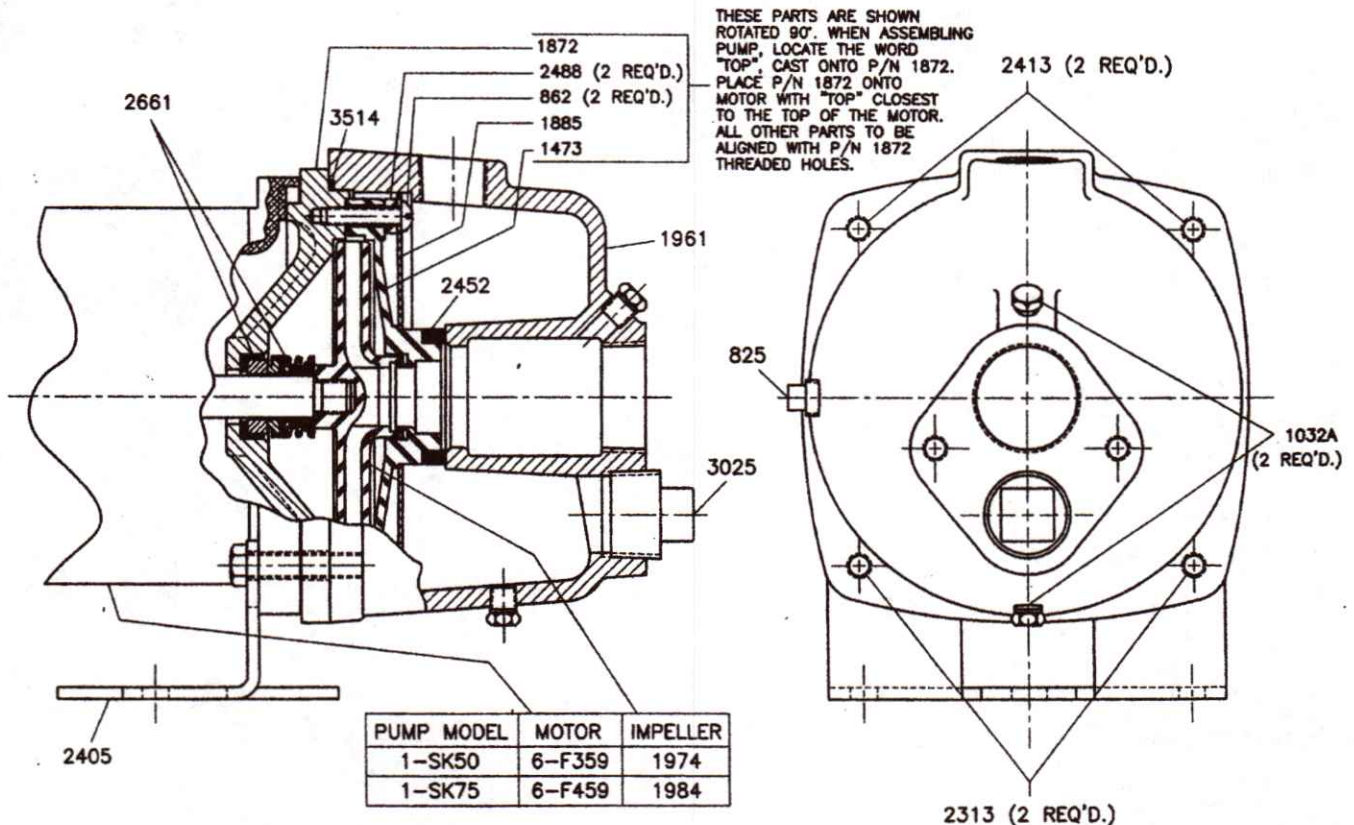
EFFECTIVE: JUNE 2008
 SK50 STARTING WITH SERIAL NO. 4L0
 SK75 STARTING WITH SERIAL NO. 3S0

PARTS LIST

SQUARE FLANGE KEYSTONE CENTRIFUGAL BOOSTER PUMP SK50 & SK75

PART NO.	REQ'D.	DESCRIPTION	PART NO.	REQ'D.	DESCRIPTION
825	1	1/4" NPT Pipe Plug	2405	1	Base
862	2	1/4-20 x 1-1/8 S.S. Screw	2413	2	3/8-16 x 1-1/2 Top Cap Screw
1032A	2	1/8" NPT Pipe Plug	2452	1	Sealing Ring
1473	1	Diffuser	2488	2	Nylon Spacer
1872	1	Motor Adapter	2661	1	Rotary Shaft Seal
1885	1	Priming Screen	3025	1	1" NPT Pipe Plug
1961	1	Body	3514	1	Tetra Seal
1974	1	Impeller for SK50	6-F359	1	1/2 HP Motor for SK50
1984	1	Impeller for SK75	6-F459	1	3/4 HP Motor for SK75
2313	2	3/8-16 x 1-3/4 Bottom Cap Screw			

NOT SHOWN:
 722 CORD SET ... CONNECTED TO MOTOR THRU MOTOR CONDUIT HOLE.
 3548 RUBBER GROMMET ... LOCATED IN MOTOR CONDUIT HOLE.



LANCASTER PUMP A DIVISION OF C-B TOOL COMPANY
 1340 Manheim Pike Lancaster, PA 17601-3196 Tel: 717-397-3521 Fax: 717-392-0266 www.lancasterpump.com
 Printed in U.S.A. - Trademark Registered - Specifications subject to change without notice.