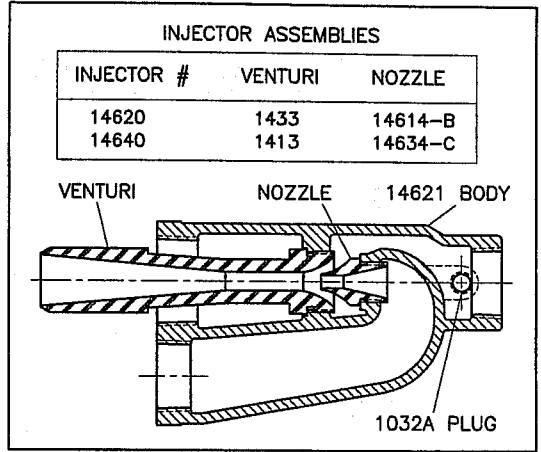


PARTS LIST

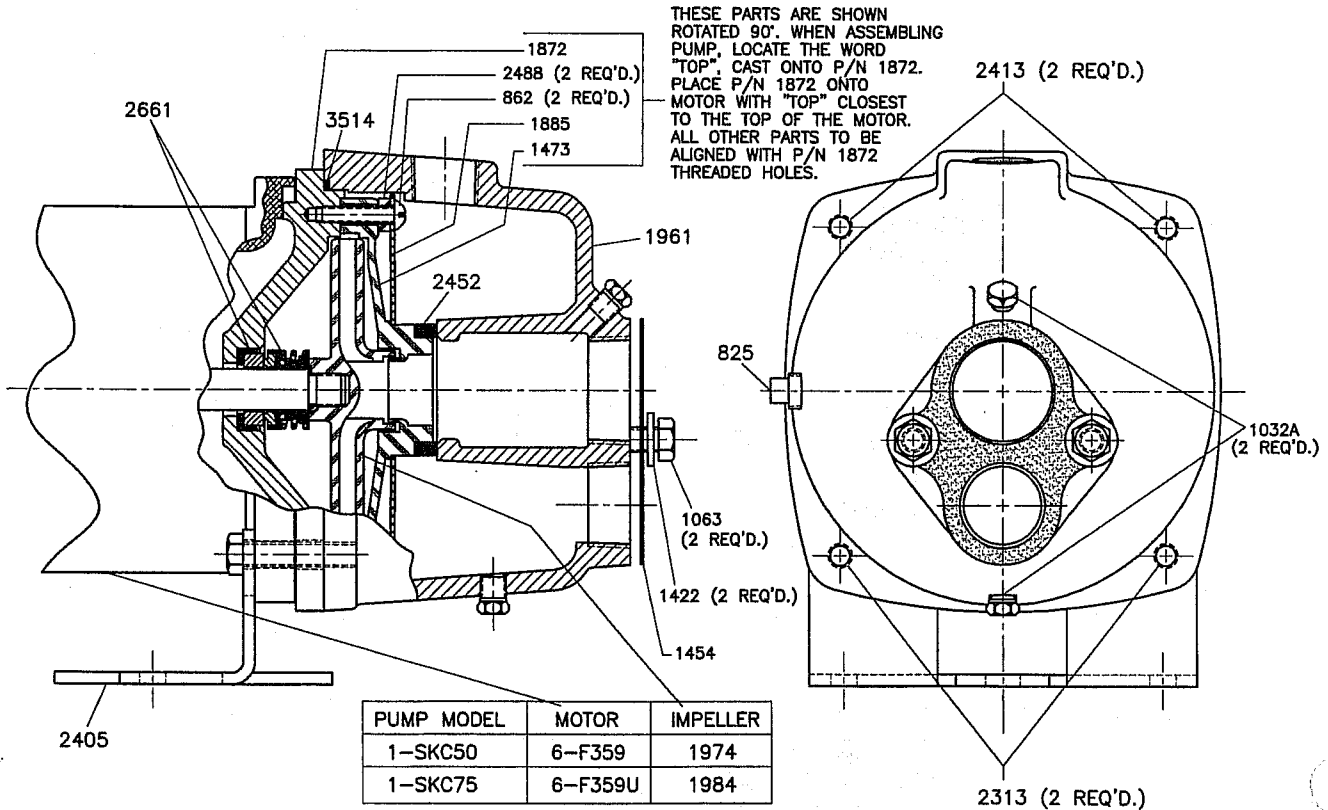
SQUARE FLANGE KEYSTONE CONVERTIBLE JET PUMPS SKC50 & SKC75

PART NO.	REQ'D	DESCRIPTION
825	1	1/4 NPT Pipe Plug
862	2	1/4 -20 x 1-1/8 S.S. Screw
1032A	2	1/8 NPT Pipe Plug
1063	2	3/8 -16 x 1 Cap Screw
1422	2	Washer
1454	1	Gasket
1473	1	Diffuser
1872	1	Motor Adaptor
1885	1	Priming Screen
1961	1	Body
1974	1	Impeller for SKC50
1984	1	Impeller for SKC75
2313	2	3/8 -16 x 1-3/4 Bottom Cap Screw
2405	1	Base
2413	2	3/8 -16 x 1-1/2 Top Cap Screw
2452	1	Sealing Ring
2488	2	Spacer
2661	1	Rotary Shaft Seal
3514	1	Tetra Seal
6-F359	1	1/2 H.P. Motor for SKC50
6-F359U	1	3/4 H.P. Motor for SKC75



NOT SHOWN:
 P/N 722 "MOTOR TO SWITCH" CORD SET ... CONNECTED TO MOTOR THRU MOTOR CONDUIT HOLE.
 P/N 3548 RUBBER GROMMET ... LOCATED IN MOTOR CONDUIT HOLE.
 P/N 1448 RUBBER CONE GROMMET ... ON END OF CORD SET OPPOSITE MOTOR.

PACKAGED WITH PUMP:
 P/N 878 1/4" NPT CLOSE NIPPLE.
 PRESSURE SWITCH, 20-40 LB.



LANCASTER PUMP A DIVISION OF C-B TOOL CO.

1340 Manheim Pike ♦ Lancaster, PA 17601-3196 ♦ Tel: 717-397-3521 ♦ Fax: 717-392-0266 ♦ www.lancasterpump.com

Printed in U.S.A. - Trademark Registered - Specifications subject to change without notice.