



# Single Stage Convertible Keystone Jet Pumps

CONVERTIBLE PUMP

Lancaster Pump's Single Stage Convertible Jet Pumps are designed for both shallow and deep well applications, delivering up to 13 gallons per minute. Available in 1/2 and 3/4 HP.

### FEATURES

- Square Flange Motor, with: stainless threaded shaft, permanently lubricated ball bearing on both ends, automatic reset thermal overload protector, two-compartment design, capacitor start, 115/230 dual voltage with voltage selector switch.
- Thermoplastic Impeller and Diffuser for increased hydraulic performance.
- Heavy-Duty Cast Iron Construction for longer life.
- Built-in Drain Plug for easy winterizing.
- 1" FNPT Discharge.
- Pressure Switch Included.
- Injector Required (not included).



### DEEP WELL LIFTS TO 90'

MODEL NO.	INJ. NO.	LIFT IN FEET	MINIMUM CONTROL VALVE PSI	DISCHARGE PSI					MAX PSI
				20	30	40	50	60	
				CAPACITY GPM					
SKC50 1/2 HP	14620	30	23	6.0	4.7	3.2	1.5		56
		40	25	4.5	3.5	2.2		51	
		50	28	3.0	2.2	1.2		46	
	14640	30	23	5.2	4.2	3.2	2.5	1.5	72
		40	25	4.5	3.5	2.7	2.0	1.0	66
		50	28	3.5	2.7	2.0	1.2		61
60		30	2.7	2.2	1.5	0.7		56	
70	30	2.0	1.5	1.2	0.2		52		
80	30	1.5	1.2	0.5			46		
SKC75 3/4 HP	14620	30	26	9.2	7.5	5.5	3.7	1.7	66
		40	25	7.2	5.7	4.2	2.5		60
		50	28	5.2	4.2	2.7	1.5		56
		60	30	3.7	3.0	1.7			50
		70	30	2.5	1.7	1.0			44
	14640	30	23	6.7	5.7	4.7	3.5	2.5	83
		40	25	5.5	4.7	3.7	2.7	1.7	76
		50	28	4.5	3.7	3.0	2.2	1.2	71
		60	30	4.0	3.2	2.5	1.7	1.0	67
		70	30	3.2	2.5	1.7	1.2		60
		80	30	2.2	1.7	1.5	0.7		55
		90	32	2.0	1.5	1.2	0.2		52

Above chart based on tests conducted with injectors 5 feet below water level. Minimum control valve setting required to maintain prime.

### SHALLOW WELL LIFTS TO 25'

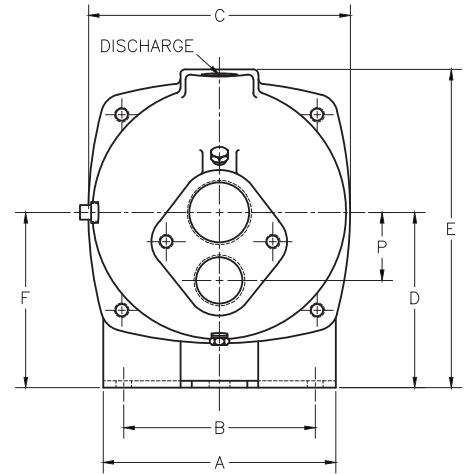
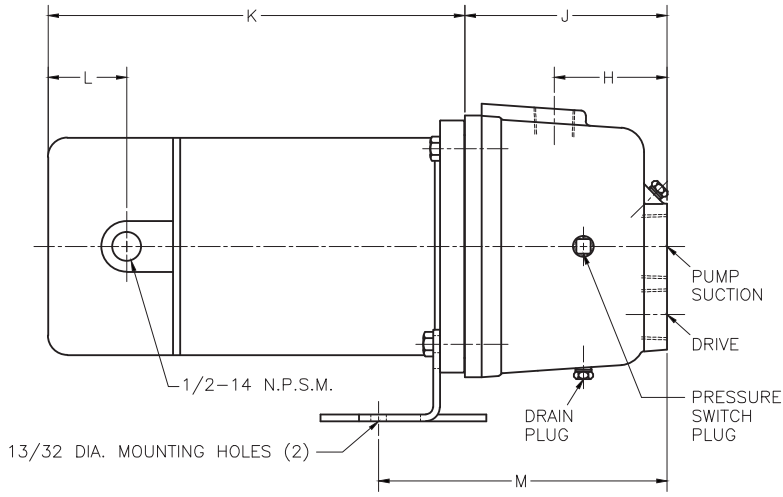
MODEL NO.	INJ NO.	LIFT IN FEET	DISCHARGE PSI							MAX PSI
			20	30	40	50	60	70	80	
			CAPACITY GPM							
SKC50 1/2HP	14620	0	13.5	13.2	11.0	7.5	4.5	1.5		76
		5	12.0	11.7	9.7	6.2	3.2	0.5		72
		10	10.7	10.5	9.0	5.5	2.5			70
		15	9.2	9.2	8.2	5.0	2.0			68
		20	7.5	7.5	7.5	4.7	1.5			65
		25	4.7	4.7	4.7	3.7	0.5			62
	14640	0	7.5	7.2	7.0	5.7	4.2	3.0	1.7	96
		5	6.2	6.2	6.2	5.2	4.0	2.5	1.5	92
		10	5.5	5.5	5.5	4.7	3.7	2.2	1.0	89
		15	4.7	4.7	4.7	4.2	3.5	2.0	0.7	86
		20	4.0	4.0	3.7	3.7	3.2	1.7	0.5	84
		25	2.5	2.5	2.5	2.5	2.5	1.2		81
SKC75 3/4 HP	14620	0	13.5	13.2	13.0	11.7	8.2	5.0	2.2	88
		5	12.0	11.7	11.5	10.5	7.0	4.0	1.0	85
		10	10.7	10.7	10.5	9.7	6.5	3.5	0.5	83
		15	9.2	9.2	9.2	9.0	6.0	3.2		80
		20	7.5	7.5	7.5	7.5	5.5	2.5		78
		25	4.7	4.7	4.7	4.5	4.2	1.2		74
	14640	0	7.5	7.2	7.2	7.0	5.7	4.5	3.2	105
		5	6.5	6.2	6.2	6.0	5.2	4.2	3.0	103
		10	5.5	5.5	5.5	5.2	5.0	4.2	2.5	100
		15	4.7	4.7	4.7	4.5	4.2	3.7	2.2	96
		20	4.0	4.0	3.7	3.7	3.5	3.2	2.0	93
		25	2.5	2.5	2.5	2.5	2.5	2.5	1.5	90

Pipe Connections: Suction 1", Discharge 1"

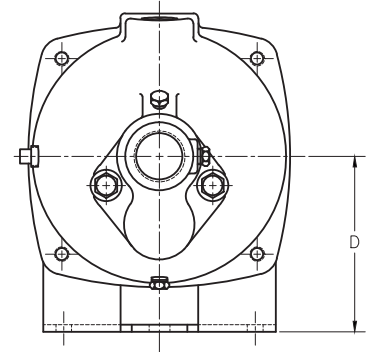
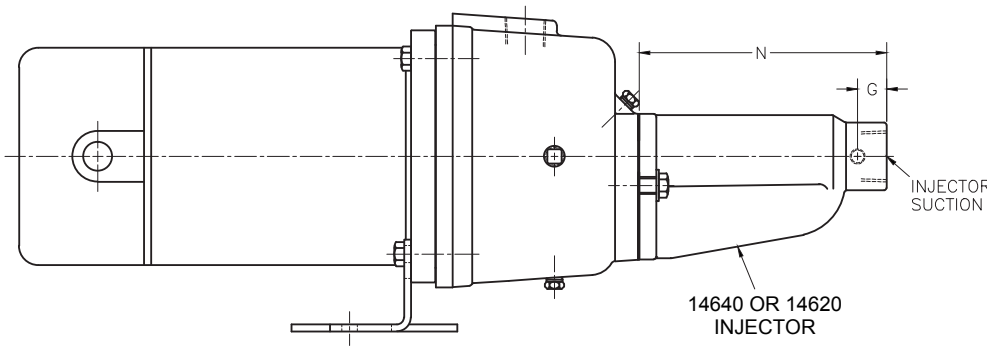


# MODELS SKC50, SKC75

## SKC50, SKC75



## SKC50, SKC75 WITH INJECTOR



## DIMENSIONS

MODEL	INJECTOR SUCTION	PUMP SUCTION	DRIVE	DISCHARGE	PRESSURE SWITCH PLUG	DRAIN PLUG
SKC50 SKC75	1 NPT	1-1/4 NPT	1 NPT	1 NPT	1/4 NPT	1/8 NPT

MODEL	A	B	C	D	E	F	G	H	J	K	L	M	N	P
SKC50 SKC75	6	4.94	6.75	4.51	8.20	4.51	0.75	2.91	5.21	10.75	1.25	7.44	6.40	1.75

General notes for estimating only. All dimensions are in inches.

Dimensions K and L represent NIDEC - US MOTOR brand motors and may vary with other brands.