

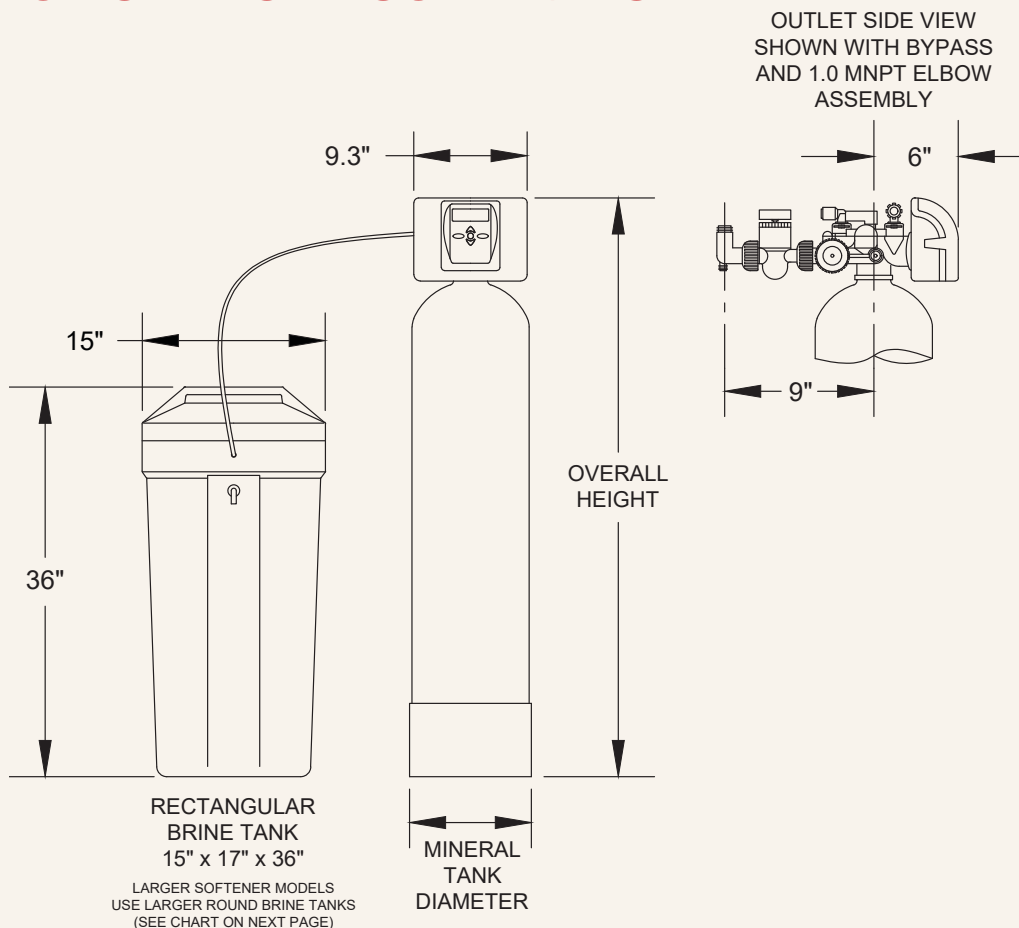


# LANCASTER

## WATER TREATMENT

DIAMOND LINE LX - SOFTENERS

### X-FACTOR SERIES LX SOFTENERS



LX PROGRAM CYCLES*	STANDARD SOFTENER				
Model Number	7-LX-75B	7-LX-100B	7-LX-150B	7-LX-200B	7-LX-300B
1st: Fill - LBS NaCl (Gallons)	6.0 (2.0)	8.0 (2.67)	12.0 (4)	16.0 (5.33)	24.0 (8.0)
2nd: Softening - Minutes (Gallons)	60 (0)	60 (0)	60 (0)	60 (0)	60 (0)
3rd: Backwash - Minutes (Gallons)	10 (10)	10 (17)	10 (17)	10 (27)	10 (42)
4th: Regenerant Draw DN & Slow Rinse - Minutes (Gallons)	50 (13.5)	50 (18.53)	50 (18.5)	50 (25.77)	50 (36)
5th: Backwash - Minutes (Gallons)	10 (10)	10 (17)	10 (17)	10 (27)	10 (42)
6th: Rinse - Minutes (Gallons)	5 (5)	5 (8.5)	5 (8.5)	5 (13.5)	5 (21)
7th: End	-	-	-	-	-
Total Gallons to Drain**	40.5	63.7	65.0	98.6	149.0
Total Minutes	139.0	140.3	143.0	145.7	151.0

\*Downflow Regenerant, Prefill Factory Program Settings

\*\*Based on 50 PSI Inlet Pressure



# X-FACTOR SERIES LX SOFTENERS

LX SPECIFICATIONS		STANDARD SOFTENER				
Model Number		7-LX-75B	7-LX-100B	7-LX-150B	7-LX-200B	7-LX-300B
Inlet/Outlet Fitting Options (Inches) <sup>1</sup>		0.75 - 1.0 <sup>1</sup> - 1.25 - 1.5	0.75 - 1.0 <sup>1</sup> - 1.25 - 1.5	0.75 - 1.0 <sup>1</sup> - 1.25 - 1.5	0.75 - 1.0 <sup>1</sup> - 1.25 - 1.5	0.75 - 1.0 <sup>1</sup> - 1.25 - 1.5
Bypass Included		Yes	Yes	Yes	Yes	Yes
Drain Fit. Elb. NPT or OD Poly Tube Size (Inches)		3/4 NPT or 5/8 Tube	3/4 NPT or 5/8 Tube	3/4 NPT or 5/8 Tube	3/4 NPT or 5/8 Tube	3/4 NPT or 5/8 Tube
Water Pressure Range (PSI)		20 - 100	20 - 100	20 - 100	20 - 100	20 - 100
Water Operating Temperature Range (°F)		35 - 100	35 - 100	35 - 100	35 - 100	35 - 100
Influent Maximum Water Hardness (GPG)		100	100	100	100	100
Influent Maximum Ferrous Iron (PPM) <sup>2</sup>		0.5	0.5	0.5	0.5	0.5
Plug-In Power Adapter Input (VAC - Hz - A)		120V AC - 60Hz - 0.35A	120V AC - 60Hz - 0.35A	120V AC - 60Hz - 0.35A	120V AC - 60Hz - 0.35A	120V AC - 60Hz - 0.35A
Plug-In Power Adapter Output (VDC - A)		15V DC - 0.5A	15V DC - 0.5A	15V DC - 0.5A	15V DC - 0.5A	15V DC - 0.5A
Plug-In Power Adapter Cord Length		15 FT	15 FT	15 FT	15 FT	15 FT
PC Board Relay Terminal Block DC Output (V)		12V DC	12V DC	12V DC	12V DC	12V DC
3 Volt Lithium Coin Cell Battery (Type)		2032	2032	2032	2032	2032
Service Flow Rate at 15 PSI Pressure Drop (GPM) <sup>3</sup>		13	17	16	18	19
Overall Height (Inches)		51.2	47.6	61.4	55.5	72.73
Mineral Tank Size: Diameter x Height (Inches)		8 x 44	10 x 40	10 x 54	12 x 48	14 x 65
Bottom Distributor Type		Plate	Plate	Plate	Plate	Plate
Top Basket Distributor		Yes	Yes	Yes	Yes	Yes
Amount of Resin (Cubic Feet)		0.75	1.0	1.5	2.0	3.0
Brine Tank Size (Inches)		15 x 17 x 36 <sup>4</sup>	15 x 17 x 36 <sup>4</sup>	15 x 17 x 36 <sup>4</sup>	15 x 17 x 36 <sup>4</sup> (Salt Grid)	18 D x 40 H
Brine Tank Capacity (LBS NaCl)		275	275	275	275	450
Drain Line Flow Control (GPM)		1.0	1.7	1.7	2.7	4.2
Brine Line (Re-Fill) Flow Control (GPM)		0.5	0.5	0.5	0.5	0.5
Injector (Color)		IC - Violet	IE - White	IE - White	IF - Blue	IH - Green
Grains Capacity (Grains @ LBS NaCl)	High	24,000 @ 11.3	32,000 @ 15.0	48,000 @ 22.5	64,000 @ 30.0	96,000 @ 45.0
	Medium <sup>5</sup>	18,000 @ 6.0	24,000 @ 8.0	36,000 @ 12.0	48,000 @ 16.0	72,000 @ 24.0
	Low	12,750 @ 3.4	17,000 @ 4.5	25,500 @ 6.75	34,000 @ 9.0	51,000 @ 13.5
Water to Drain at 50 PSI Inlet Pressure (Gallons)	High	42.3	66.0	68.5	103.3	156.0
	Medium <sup>5</sup>	40.5	63.7	65.0	98.6	149.0
	Low	39.6	62.5	63.3	96.3	145.5

<sup>1</sup>1.0 MNPT Elbow Standard - Options Available

<sup>2</sup>Ferrous iron ("clear-water iron"): Water comes out of the faucet clear, but turns red or brown after standing. Recommend HIGH grains capacity program settings - Consult Factory

<sup>3</sup>Flow rates in the table may exceed resin manufacturer's recommended maximum flow rates. Selecting a system flow rate by pressure drop alone does not guarantee that the system will provide softened water.

<sup>4</sup>See Diagram

<sup>5</sup>Factory Program Setting