



PARTS LIST

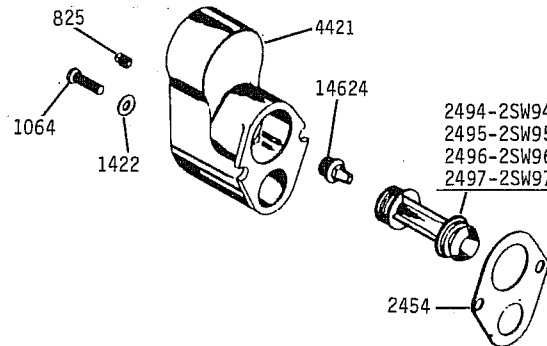
LANCASTER DUAL DUTCHMAN SW MODEL

MODELS 2SW94 - 2SW97

PART NO.	REQ'D.	DESCRIPTION
825	2	1/4" Pipe Plug
1063	8	3/8-16 x 1" Cap Screw
2404	1	Front Impeller, 2SW94
2414	1	Gasket
2424	1	Front Impeller, 2SW95, 2SW96, 2SW97
2441	1	O'ring
2451	1	Pump Body
2472	1	Motor Support
2473	1	Diffuser Assy.
2661	1	Rotary Seal
3405	1	Pump Base
3473	1	Diffuser
4404	1	Rear Impeller, 2SW94
4414	1	Rear Impeller, 2SW95
4424	1	Rear Impeller, 2SW96
4434	1	Rear Impeller, 2SW97
6-JT4350	1	3/4 HP Motor
6-JT5350	1	1 HP Motor
6-JT6350	1	1-1/2 HP Motor
6-JT7350	1	2 HP Motor

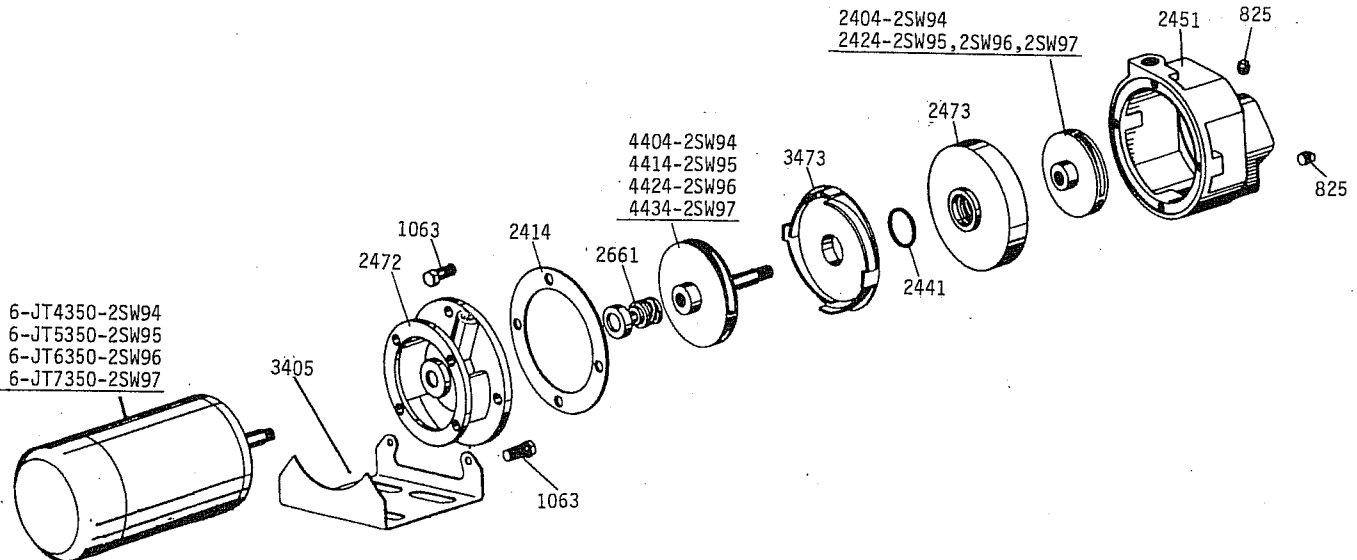
INJECTOR ASSEMBLIES - Shallow Well

PART NO.	REQ'D.	DESCRIPTION
825	1	1/4" Pipe Plug
1064	2	3/8-16 x 1-1/4" Cap Screw
1422	2	3/8" Washer
14624	1	Nozzle
2454	1	Injector Gasket



INJECTOR ASSEMBLIES - Shallow Well

For Model	Complete	Body	Venturi	Nozzle
2SW94	24940	4421	2494	14624
2SW95	24950	4421	2495	14624
2SW96	24960	4421	2496	14624
2SW97	24970	4421	2497	14624



LANCASTER PUMP A DIVISION OF C - B TOOL CO.

1340 MANHEIM PIKE LANCASTER, PA 17601-3196 Area Code (717) 397-3521

Printed in U.S.A.—Trademark Registered—Specifications subject to change without notice.