

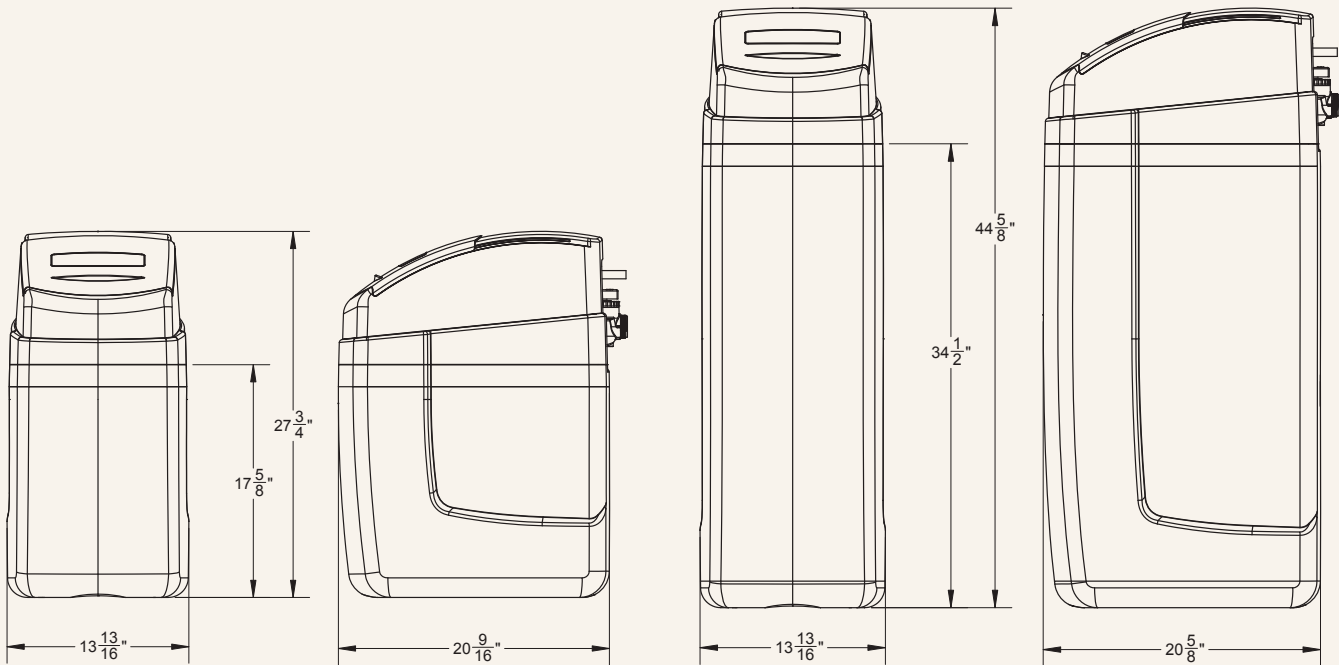


# LANCASTER

## WATER TREATMENT

PLATINUM LINE LECS - CABINET SOFTENERS

### X-FACTOR SERIES LECS CABINET SOFTENERS



#### LECS PROGRAM CYCLES\*

#### CABINET SOFTENER

| Model Number                              | 7-LECS-50B (Packed Bed) |              | 7-LECS-75B |             | 7-LECS-100B (Packed Bed) |              |
|---|-------------------------|--------------|------------|-------------|--------------------------|--------------|
|   | Minutes                 | Gallons      | Minutes    | Gallons     | Minutes                  | Gallons      |
| <b>Units:</b>                             |                         |              |            |             |                          |              |
| 1st Cycle: Backwash                       | OFF                     | -            | 10         | 17          | OFF                      | -            |
| 2nd Cycle: Brine & Slow Rinse             | 50                      | 16           | 50         | 18.5        | 50                       | 18.5         |
| 3rd Cycle: Backwash                       | OFF                     | -            | 10         | 17          | OFF                      | -            |
| 4th Cycle: Rinse                          | 5                       | 3.5          | 5          | 8.5         | 5                        | 5            |
| 5th Cycle: Fill - Salt Setting (LBS NaCl) | 2.66                    | 1.33 (4 LBS) | 4          | 2 (6 LBS)   | 5.34                     | 2.67 (8 LBS) |
| <b>Total Gallons to Drain**</b>           |                         | <b>20.8</b>  |            | <b>63.0</b> |                          | <b>26.2</b>  |
| <b>Total Regeneration Time</b>            |                         | <b>57.7</b>  |            | <b>79.0</b> |                          | <b>60.3</b>  |

\*Downflow Regenerant, Post-fill Factory Program Settings  
 \*\*Based on 50 PSI Inlet Pressure



## X-FACTOR SERIES LECS CABINET SOFTENERS

| LECS SPECIFICATIONS  |                     | CABINET SOFTENER                     |                                      |                                      |
|--|---------------------|--------------------------------------|--------------------------------------|--------------------------------------|
| Model Number   |                     | 7-LECS-50B (Packed Bed)              | 7-LECS-75B                           | 7-LECS-100B (Packed Bed)             |
| Inlet/Outlet Fitting Options (Inches) <sup>1</sup>           |                     | 0.75 - 1.0 <sup>1</sup> - 1.25 - 1.5 | 0.75 - 1.0 <sup>1</sup> - 1.25 - 1.5 | 0.75 - 1.0 <sup>1</sup> - 1.25 - 1.5 |
| Bypass Included  |                     | Yes                                  | Yes                                  | Yes                                  |
| Drain Fit. Elb. NPT or OD Poly Tube Size (Inches)            |                     | 3/4 NPT or 5/8 Tube                  | 3/4 NPT or 5/8 Tube                  | 3/4 NPT or 5/8 Tube                  |
| Water Pressure Range (PSI)                                   |                     | 20 - 100                             | 20 - 100                             | 20 - 100                             |
| Water Operating Temperature Range (°F)                       |                     | 35 - 100                             | 35 - 100                             | 35 - 100                             |
| Influent Maximum Water Hardness (GPG)                        |                     | 100                                  | 100                                  | 100                                  |
| Influent Maximum Ferrous Iron (PPM) <sup>2</sup>             |                     | 0                                    | 0.5                                  | 0                                    |
| Plug-In Power Adapter Input (VAC - Hz - A)                   |                     | 120V AC - 60Hz - 0.35A               | 120V AC - 60Hz - 0.35A               | 120V AC - 60Hz - 0.35A               |
| Plug-In Power Adapter Output (VDC - A)                       |                     | 15V DC - 0.5A                        | 15V DC - 0.5A                        | 15V DC - 0.5A                        |
| Plug-In Power Adapter Cord Length                            |                     | 15 FT                                | 15 FT                                | 15 FT                                |
| PC Board Relay Terminal Block DC Output (V)                  |                     | 12V DC                               | 12V DC                               | 12V DC                               |
| 3 Volt Lithium Coin Cell Battery (Type)                      |                     | 2032                                 | 2032                                 | 2032                                 |
| Service Flow Rate at 15 PSI Pressure Drop (GPM) <sup>3</sup> |                     | 14                                   | 18                                   | 17                                   |
| Overall Height (Inches)                                      |                     | 27.75                                | 44.63                                | 44.63                                |
| Mineral Tank Size: Diameter x Height (Inches)                |                     | 9 x 18                               | 10 x 35                              | 10 x 35                              |
| Bottom Distributor Type                                      |                     | Basket                               | Basket                               | Basket                               |
| Top Basket Distributor                                       |                     | Yes                                  | Yes                                  | Yes                                  |
| Amount of Resin (Cubic Feet)                                 |                     | 0.5                                  | 0.75                                 | 1.0                                  |
| Support Bedding  |                     | No                                   | No                                   | No                                   |
| Cabinet Size (Inches) <sup>4</sup>                           |                     | 13.81 x 20.56 x 27.75                | 13.81 x 20.63 x 44.63                | 13.81 x 20.63 x 44.63                |
| Cabinet Capacity (LBS NaCl)                                  |                     | 133                                  | 258                                  | 258                                  |
| Drain Line Flow Control (GPM)                                |                     | 0.7                                  | 1.7                                  | 1.0                                  |
| Brine Line (Re-Fill) Flow Control (GPM)                      |                     | 0.5                                  | 0.5                                  | 0.5                                  |
| Injector (Color)   |                     | ID - Red                             | IE - White                           | IE - White                           |
| Grains Capacity<br>(Grains @ LBS NaCl)                       | High                | 16,000 @ 7.5                         | 24,000 @ 11.3                        | 32,000 @ 15.0                        |
|  | Medium <sup>5</sup> | 12,000 @ 4.0                         | 18,000 @ 6.0                         | 24,000 @ 8.0                         |
|  | Low                 | 8,500 @ 2.3                          | 12,750 @ 3.4                         | 17,000 @ 4.5                         |
| Water to Drain at 50 PSI<br>Inlet Pressure (Gallons)         | High                | 22.0                                 | 64.8                                 | 28.5                                 |
|  | Medium <sup>5</sup> | 20.8                                 | 63.0                                 | 26.2                                 |
|  | Low                 | 20.3                                 | 62.1                                 | 25.0                                 |

<sup>1</sup>1.0 MNPT Elbow Standard - Options Available

<sup>2</sup>Ferrous iron ("clear-water iron"): Water comes out of the faucet clear, but turns red or brown after standing. Recommend HIGH grains capacity program settings - Consult Factory

<sup>3</sup>Flow rates in the table may exceed resin manufacturer's recommended maximum flow rates. Selecting a system flow rate by pressure drop alone does not guarantee that the system will provide softened water.

<sup>4</sup>See Diagram

<sup>5</sup>Factory Program Setting