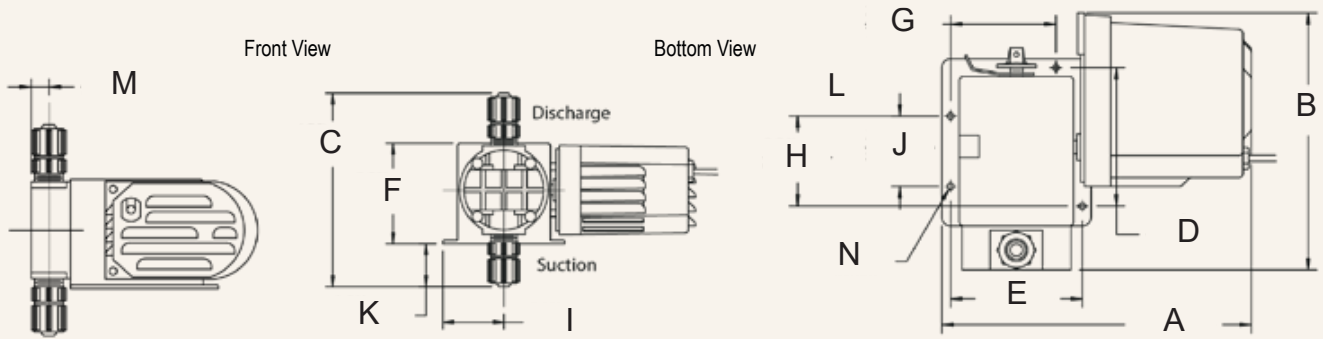




LANCASTER

WATER TREATMENT

100 SERIES CHEMICAL SOLUTIONS FEEDERS



DIMENSIONS		SERIES 100 PUMPS					
Model Number	7-007-1	7-015-1	7-015-2	7-024-1	7-024-2	7-030-1	7-030-2
A				8.81			
B				7.31			
C				6.75			
D				3.94			
E				3.75			
F				3.50			
G				3.00			
H				2.56			
I				2.13			
J				2.00			
K				1.50			
L				1.38			
M				0.57			
N				n 0.18			

*General notes for estimating only. All dimensions are in inches.
 Note: Refer to Installation, Operating, and Service Manual for information regarding replacement components.

100 SERIES CHEMICAL SOLUTIONS FEEDERS

SPECIFICATIONS	SERIES 100 PUMPS						
	7-007-1	7-015-1	7-015-2	7-024-1	7-024-2	7-030-1	7-030-2
Model Number	7-007-1	7-015-1	7-015-2	7-024-1	7-024-2	7-030-1	7-030-2
Maximum Flow Rate (GPD)	7	15	15	24	24	30	30
Maximum Pressure Rating (psi)	100						
Viscosity Maximum (cps)	300						
Pump Head Material	Clear PVC						
Diaphragm	CSPE						
Seats / O-Rings	CSPE						
Balls	Ceramic						
Fittings Materials	PVC						
Bleed Valve	PVC						
Injection Valve & Foot Valve Assy	PVC						
Tubing	Clear PVC & White PE						
Power Input	115VAC / 60HZ	115VAC / 60HZ	230VAC / 50-60 HZ	115VAC / 60HZ	230VAC / 50-60 HZ	115VAC / 60HZ	230VAC / 50-60 HZ
Temperature Limitations	125°F / 51°C max.						

Conforms too ANSI/NSF STD. 50 Equipment for swimming pools, spas, hot tubs, and other recreational water facilities.

Material Code: PVC = Polyvinyl Chloride, PE = Polyethylene, CSPE = Ggeneric formulaton Chlorosulfonated polyethylene synthetic rubber is the generic replacement of Hypolon, a registered trademark of E. I. DuPont Company. PVC wetted end recommended for sodium hypochlorite.