

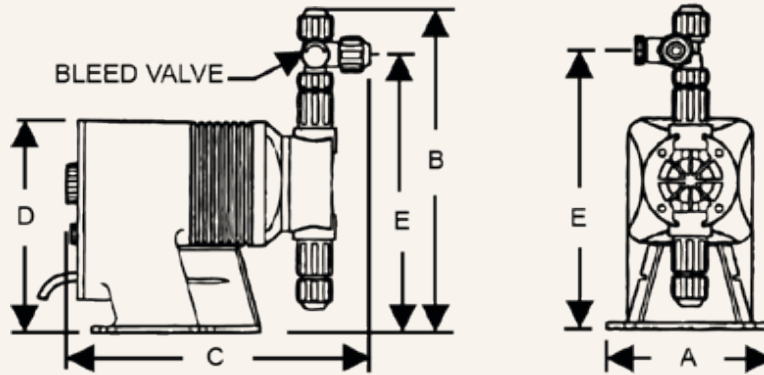


LANCASTER

WATER TREATMENT

C SERIES - CHEMICAL SOLUTION FEEDERS

C SERIES CHEMICAL SOLUTIONS FEEDERS



DIMENSIONS	SERIES C PUMPS	
Model Number	7-LC54GA	7-LC54GA-DEGAS
A		5.0
B		9.9
C		9.9
D		6.5
E		8.5

*General notes for estimating only. All dimensions are in inches.
 Note: Refer to Installation, Operating, and Service Manual for information regarding replacement components.

C SERIES CHEMICAL SOLUTIONS FEEDERS

SPECIFICATIONS	SERIES C PUMPS	
Model Number	7-LC54GA	7-LC54GA-DEGAS
Maximum Flow Rate (GPD)	30	
Maximum Pressure Rating (psi)	80	
Viscosity Maximum (cps)	1000	
External Controls	Ext. Pace with Prime Button	
Head Fittings	PVC	
Seats / O-Rings	CSPE	Viton®
Balls	Ceramic	
Tubing / Connections	Clear PVC 1/4 x 3/8 in.	Degas Head (< 44 GPD)
Diaphragm	TFE FACED	
Maximum Stroke Frequency (SPM)	125	
Power Input	115VAC / 50-60 HZ . 1ph	

Conforms too ANSI/NSF STD. 50 Equipment for swimming pools, spas, hot tubs, and other recreational water facilities.

Material Code: PVC = Polyvinyl Chloride, CSPE = Ggeneric formulaton Chlorosulfonated polyethylene synthetic rubber is the generic replacement of Hypolon, a registered trademark of E. I. DuPont Company. Viton is a registered trademark of E.I. DuPont Company. PVC wetted end recommended for sodium hypochlorite.