

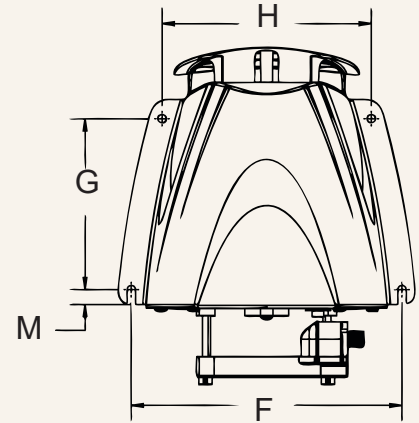
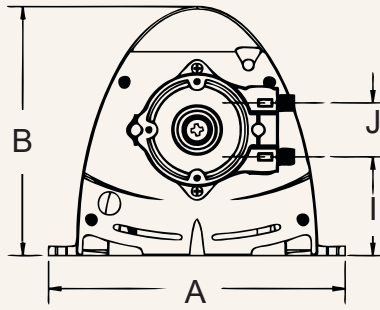
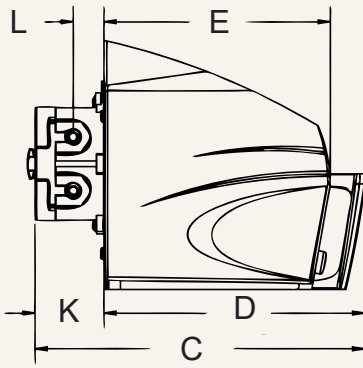


LANCASTER

WATER TREATMENT

XP SERIES - CHEMICAL SOLUTION FEEDER

XP SERIES CHEMICAL SOLUTIONS FEEDER



DIMENSIONS		PERISTALTIC METERING PUMP
Model Number		7-XP030L2HX
A		9.82
B		8.24
C		10.92
D		9.26
E		7.49
F		8.96
G		5.66
H		6.92
I		3.27
J		1.78
K		2.28
L		1.02
M		0.50

*General notes for estimating only. All dimensions are in inches.
 Note: Refer to Installation, Operating, and Service Manual for information regarding replacement components.

XP SERIES CHEMICAL SOLUTIONS FEEDER

XP SPECIFICATIONS	PERISTALTIC METERING PUMP
Model Number	7-XP030L2HX*
Maximum Flow Rate (GPD)	30
Maximum Pressure Rating (psi)	80
Viscosity Maximum (cps)	300
Enclosure	NEMA 3R / IP31 (In Horizontal Position)
External Controls	Puls Input, .2 to 10 Second Timer
Tubing / Connections	High Pressure Neoprene with 0.25 in. Tube Fittings
Power Input	115VAC / 60 HZ, 1/6 HP
Temperature Limitations	104°F / 40°C max.

Conforms to ANSI/NSF STD. 50 Equipment for swimming pools, spas, hot tubs, and other recreational water facilities.