

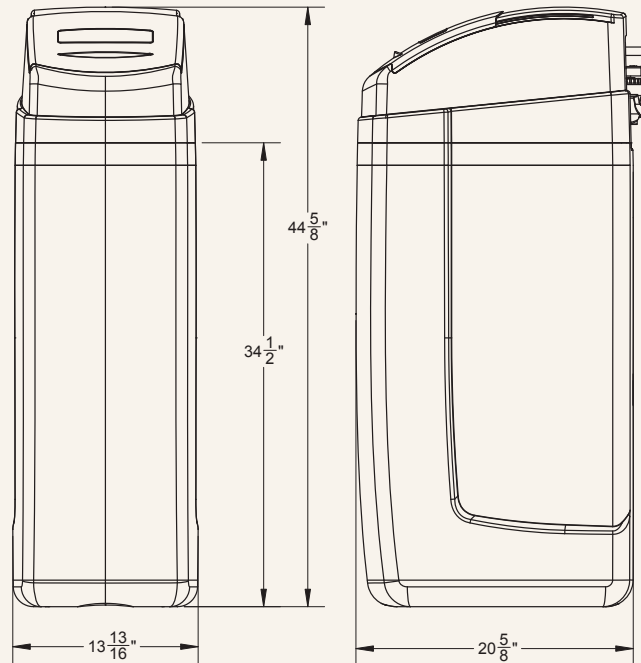


LANCASTER

WATER TREATMENT

GOLD LINE LECR - CABINET SOFTENERS

X-FACTOR SERIES LECR CABINET SOFTENERS



LECR FIXED CYCLES OF OPERATION	CABINET SOFTENER	
Model Number	7-LECR-75B	
Program Code*	C2	
Units:	Minutes	Gallons
1st Cycle: Backwash	8	13.6
2nd Cycle: Brine & Slow Rinse	60	16.2
3rd Cycle: Backwash	8	13.6
4th Cycle: Rinse	4	6.8
5th Cycle: Fill - Treated Water into Brine Tank	4	2
Salt Setting - Salt Usage Per Regen (LBS NaCl)	6 LBS	
Total Gallons to Drain**	52.2	
Total Regeneration Time	84.0	

*C-Code display is based on the current combinations of factory settings including Backwash Type Normal, Post-fill, Downflow Brine. C-Code is displayed during initial start-up and also appears immediately after programming mode is exited.

**Based on 50 PSI Inlet Pressure

X-FACTOR SERIES LECR CABINET SOFTENERS

LECR SPECIFICATIONS		CABINET SOFTENER	
Model Number		7-LECR-75B	
Inlet/Outlet Fitting Options (Inches) ¹		0.75 - 1.0' - 1.25 - 1.5	
Bypass Included		Yes	
Drain Fit. Elb. NPT or OD Poly Tube Size (Inches)		3/4 NPT or 5/8 Tube	
Water Pressure Range (PSI)		20 - 100	
Water Operating Temperature Range (°F)		35 - 100	
Influent Maximum Water Hardness (GPG)		100	
Influent Maximum Ferrous Iron (PPM) ²		0.5	
Plug-In Power Adapter Input (VAC - Hz - A)		120V AC - 60Hz - 0.35A	
Plug-In Power Adapter Output (VDC - A)		15V DC - 0.5A	
Plug-In Power Adapter Cord Length		15 FT	
PC Board Relay Terminal Block DC Output (V)		12V DC	
3 Volt Lithium Coin Cell Battery (Type)		2032	
Service Flow Rate at 15 PSI Pressure Drop (GPM) ³		18	
Overall Height (Inches)		44.63	
Mineral Tank Size: Diameter x Height (Inches)		10 x 35	
Bottom Distributor Type		Basket	
Top Basket Distributor		Yes	
Amount of Resin (Cubic Feet)		0.75	
Support Bedding		No	
Cabinet Size (Inches) ⁴		13.81 x 20.63 x 44.63	
Cabinet Capacity (LBS NaCl)		258	
Drain Line Flow Control (GPM)		1.7	
Brine Line (Re-Fill) Flow Control (GPM)		0.5	
Injector (Color)		IE - White	
Grains Capacity (Grains @ LBS NaCl)	C3	High ⁵	N/A
	C2	Medium ⁶	18,000 @ 6.0
	C1	Low	12,500 @ 3.4
Water to Drain at 50 PSI Inlet Pressure (Gallons)	C3	High ⁵	N/A
	C2	Medium ⁶	58.2
	C1	Low	38.2

¹1.0 MNPT Elbow Standard - Options Available

²Ferrous iron ("clear-water iron"): Water comes out of the faucet clear, but turns red or brown after standing. Recommend HIGH grains capacity program settings - Consult Factory

³Flow rates in the table may exceed resin manufacturer's recommended maximum flow rates. Selecting a system flow rate by pressure drop alone does not guarantee that the system will provide softened water.

⁴See Diagram

⁵Cabinet does not have an internal salt grid available; salt grids are used for salt settings requiring higher fill gallons.

⁶Factory Program Setting