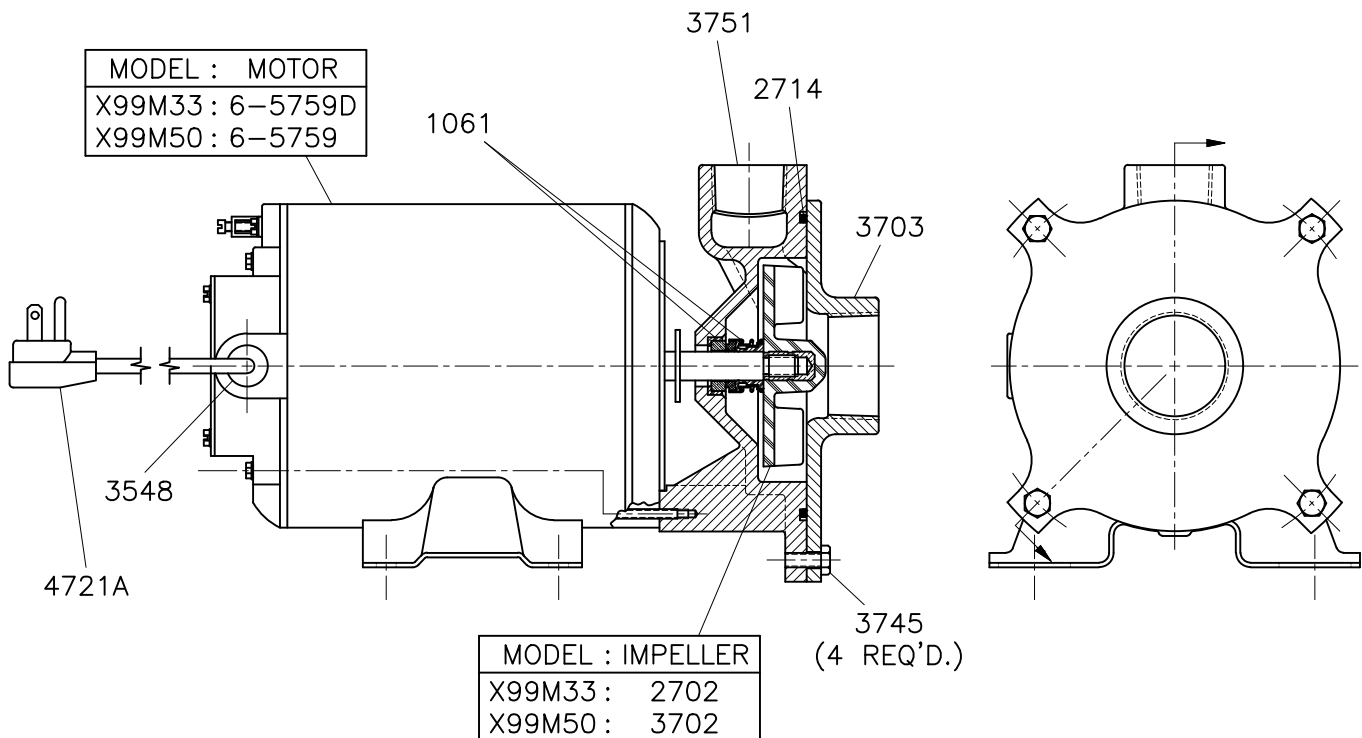


PARTS LIST

LANCASTER LAUNDRY TRAY WASTE WATER PUMPS MODELS X99M33 & X99M50

| PART NO. | REQ'D. | DESCRIPTION | PART NO. | REQ'D. | DESCRIPTION |
|----------|--------|---------------------|----------|--------|---|
| 1061 | 1 | ROTARY SEAL | 3745 | 4 | CAP SCREW, 1/4-20x5/8 |
| 2702 | 1 | IMPELLER FOR X99M33 | 3751 | 1 | DISCHARGE CASING |
| 2714 | 1 | O-RING | 4721A | 1 | CORD SET, 16/3, 8 FT. WITH PLUG, SJTOW |
| 3548 | 1 | GROMMET | 6-5759 | 1 | 1/2 HP MOTOR FOR X99M50 |
| 3702 | 1 | IMPELLER FOR X99M50 | 6-5759D | 1 | 1/3 HP MOTOR FOR X99M33 |
| 3703 | 1 | SUCTION COVER | | | |



LANCASTER PUMP A DIVISION OF C-B TOOL COMPANY